

2024

FURNITURE
ACCESSORIES

FROM ORDER TO DELIVERY 24 HOURS

TABLE OF CONTENTS

Bent standing sofa legs

p. 4 – 7 / 12



101 111 111R 112 113 114 115 116 117 118 119

Corner standing sofa legs

p. 7 – 12



120 120 151 153 154 155 BS 155 BW 156
168 169 157 159 160 162 163 165 167

Standing sofa legs

p. 13 – 18



181 182 185 186 202 217 219 221 223 233

Lying straight sofa legs

p. 20 – 21



236 251 368 391 402

Sofa Mechanism

p. 24



C14 C69-2 C300

Variety shaped sofa legs

p. 18 – 20



267 275 278 283 285 286 287

Corner lying sofa legs

p. 20



296

Wooden Legs

p. 22 – 23



D51 D52 D53

Armrests

p. 25 – 28



A4 A4 SPR with spring A600 A700

Headrests

p. 29 – 31



A200/2H A200 PLUS A200/3H A500 G01E

Furniture Catch

p. 31



nr 1

Furniture Catch

p. 32



nr 2

Upholstery Splint

p. 32



Straight Triangular 5 hole

Optional accessories

p. 33 – 34



Bottom insert Top insert End caps Slides Bolts Nuts

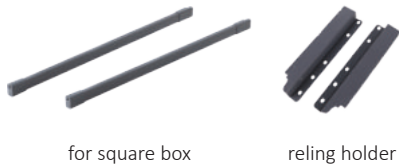
Drawer System

p. 35 – 37



Relings

p. 37



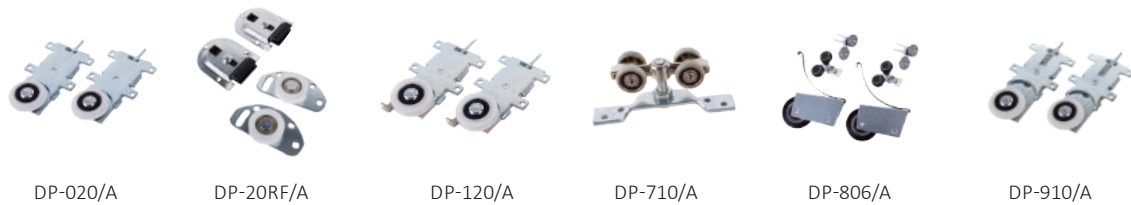
Angle Brackets

p. 38



Sliding Door System

p. 38



Wardrobe Rails

p. 39 – 40



Accessories

p. 40

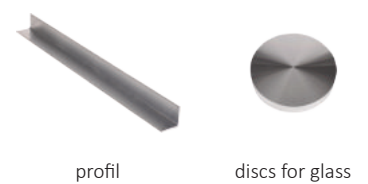


Table Legs

p. 40 – 42



Hairpin

p. 43



Slides

p. 43 – 44



Flanges

p. 45

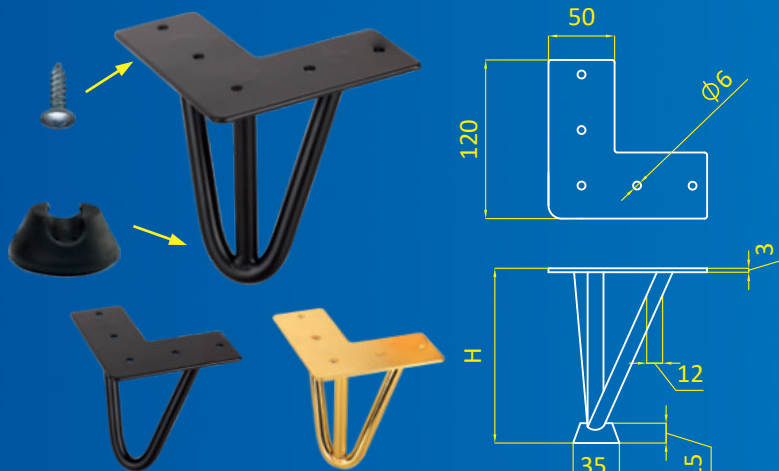


SOFA LEG NR. 101

Material: Steel
Finish: Black, Gold

Dimensions:

NUMBER OF BARS	HEIGHT	BAR DIAMETER [Ø]
R 2 pcs.	H 120 mm	12 mm
R 3 pcs.	H 120 mm	12 mm



SOFA LEG NR. 111

Material: Steel
Finish: Chrome, Black
 Powder-coated colours

Dimensions:

HEIGHT
H 130 mm
H 160 mm
H 175 mm
OTHER HEIGHTS ON REQUEST



SOFA LEG NR. 111R

Material: Steel
Finish: Black
 Powder-coated colours

Dimensions:

HEIGHT
H 175 mm
OTHER HEIGHTS ON REQUEST

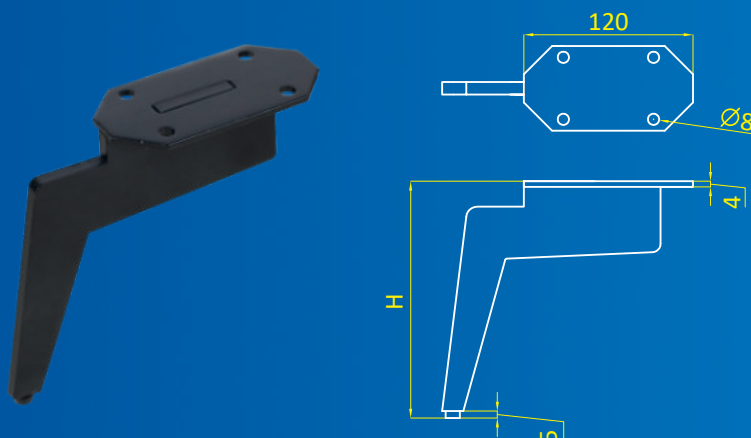


SOFA LEG NR. 112

Material: Steel
Finish: Black Structure

Dimensions:

HEIGHT
H 150 mm
H 170 mm



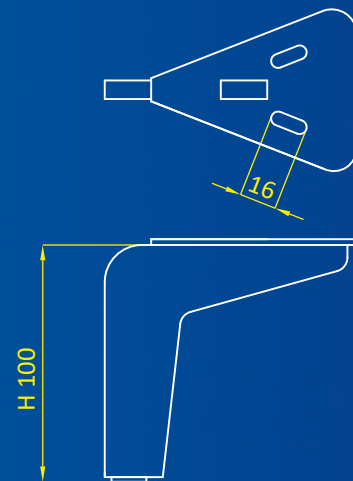
SOFA LEG NR. 113

Material: Steel

Finish: Black Structure

Dimensions:

HEIGHT
H 100 mm
H 120 mm
H 160 mm
H 200 mm



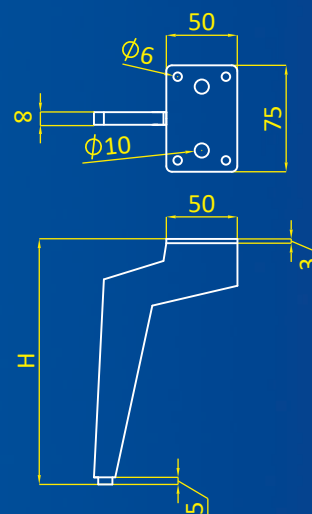
SOFA LEG NR. 114

Material: Steel

Finish: Black, Black Structure

Dimensions:

HEIGHT
H 130 mm
H 170 mm



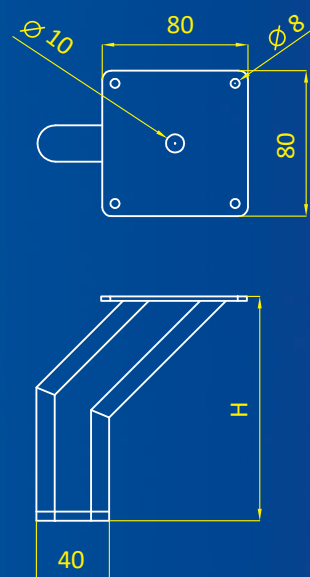
SOFA LEG NR. 115

Material: Steel

Finish: Chrome, Black, Black Chrome
Powder-coated colours

Dimensions:

HEIGHT
H 100 mm
H 110 mm Black
H 120 mm
H 130 mm
H 140 mm
H 150 mm
H 150 mm Gold
H 170 mm
OTHER HEIGHTS ON REQUEST



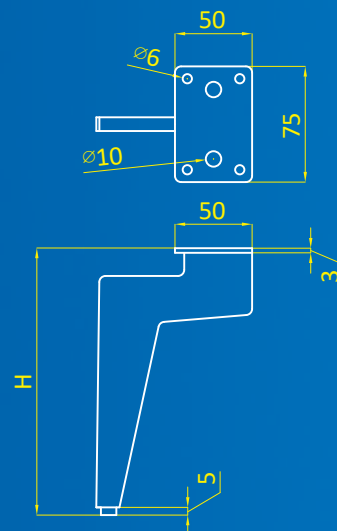
SOFA LEG NR. 116

Material: Steel

Finish: Black

Dimensions:

HEIGHT
H 170 mm
H 200 mm



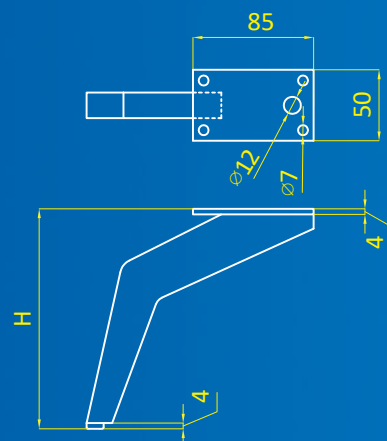
SOFA LEG NR. 117

Material: Steel

Finish: Black Structure

Dimensions:

HEIGHT
H 160 mm



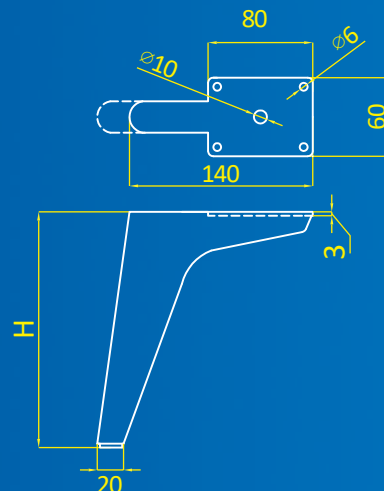
SOFA LEG NR. 118

Material: Steel

Finish: Black Structure

Dimensions:

HEIGHT
H 120 mm
H 160 mm
H 180 mm



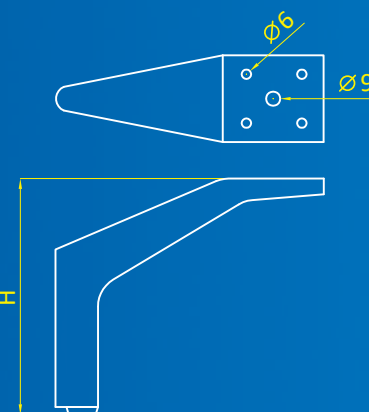
SOFA LEG NR. 119

Material: Steel

Finish: Chrome, Black, Black Chrome
Powder-coated colours

Dimensions:

HEIGHT
H 130 mm
H 150 mm



SOFA LEG NR. 120

Material: Steel
Finish: Chrome, Gold, Black, Black-Gold
 Powder-coated colours

Dimensions:

HEIGHT
H 130 mm
H 150 mm
H 180 mm
H 230 mm
H 650 mm

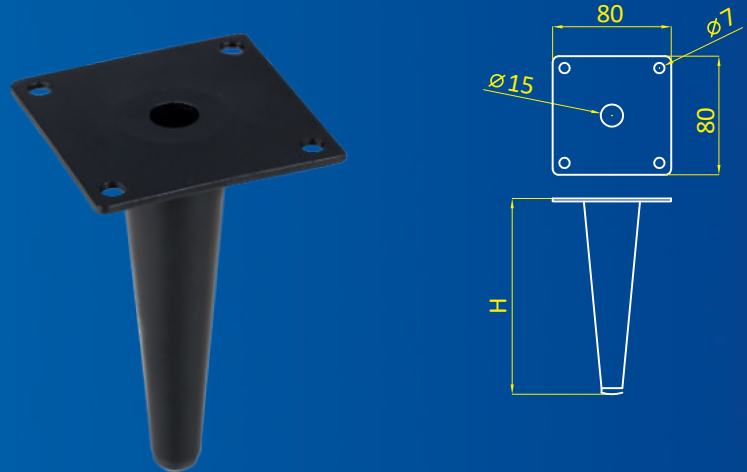


SOFA LEG NR. 120

Material: Steel
Finish: Black
 Powder-coated colours

Dimensions:

HEIGHT
H 130 mm
OTHER HEIGHTS ON REQUEST

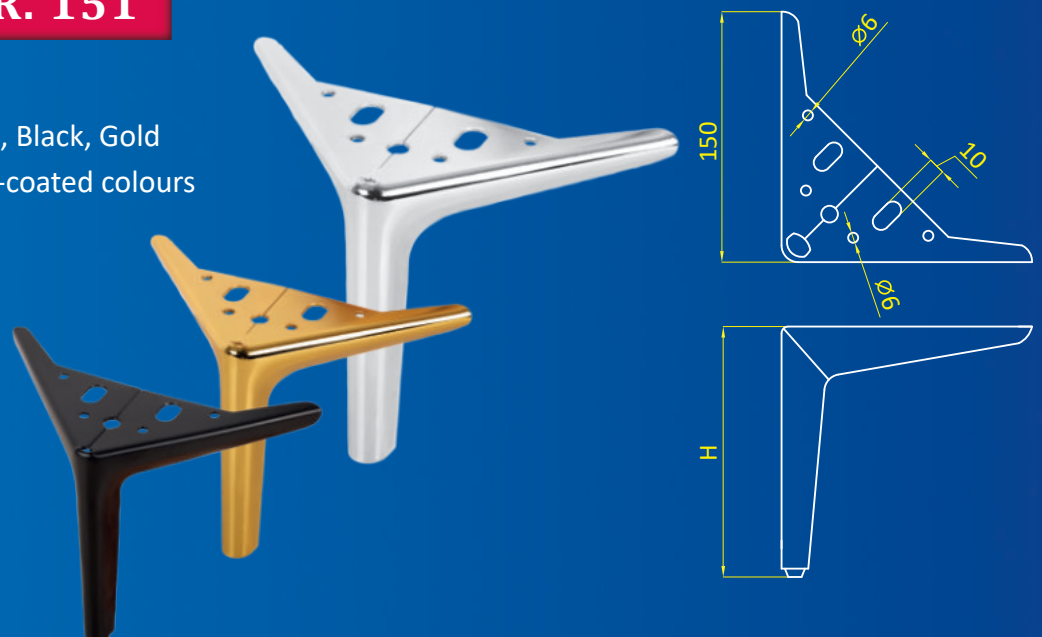


SOFA LEG NR. 151

Material: Steel
Finish: Chrome, Black, Gold
 Powder-coated colours

Dimensions:

HEIGHT
H 100 mm
H 120 mm
H 130 mm
H 150 mm
H 170 mm
H 180 mm

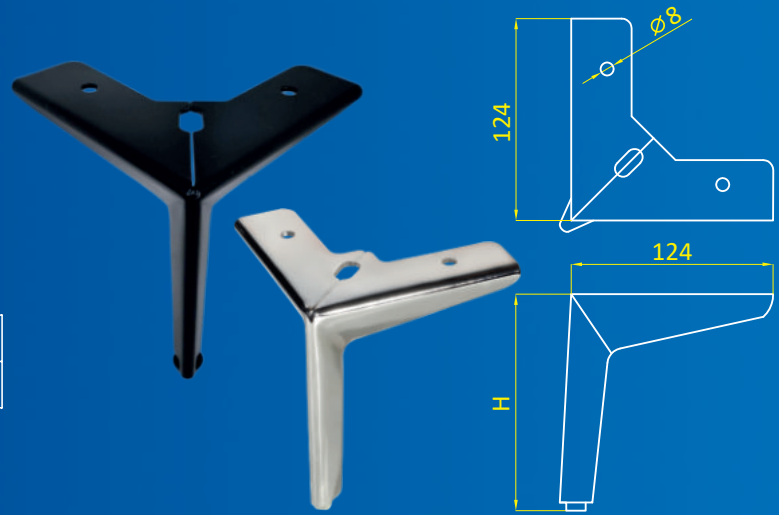


SOFA LEG NR. 153

Material: Steel
Finish: Chrome, Black
 Powder-coated colours

Dimensions:

ARMLength	HEIGHT
L 124 mm	H 135 mm

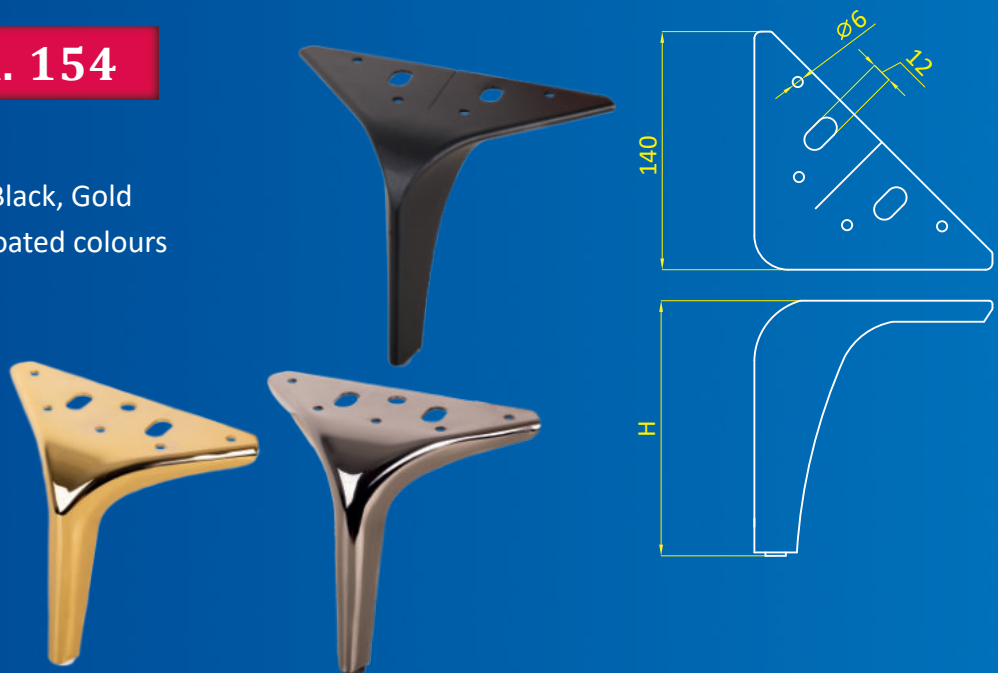


SOFA LEG NR. 154

Material: Steel
Finish: Chrome, Black, Gold
 Powder-coated colours

Dimensions:

HEIGHT
H 100 mm
H 120 mm
H 130 mm
H 150 mm
H 170 mm



SOFA LEG NR. 155 BS

Material: Steel
Finish: Chrome, Black, Gold
 Powder-coated colours

Dimensions:

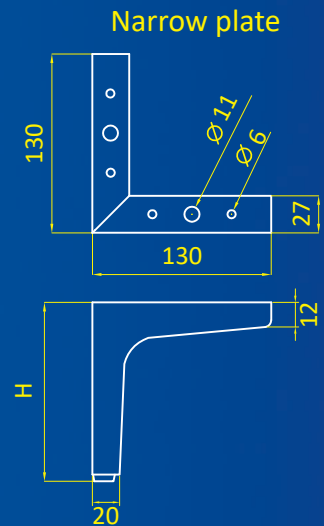
THICKNESS	HEIGHT	HOLES
T 2,0 mm	H 100 mm	Slotted + Round
T 2,5 mm	H 130 mm	Slotted + Round
	H 150 mm	Slotted + Round
	H 150 mm	Round
	H 170 mm	Slotted + Round



SOFA LEG NR. 155 BW

Material: Steel
Finish: Chrome, Black
 Powder-coated colours
Dimensions:

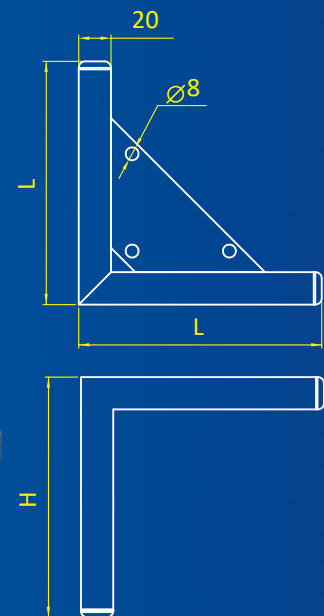
THICKNESS	HEIGHT	HOLES
T 2,0 mm	H 100 mm	Round
	H 130 mm	Round
T 2,5 mm	H 150 mm Black	Round



SOFA LEG NR. 156

Material: Steel
Finish: Chrome, Black
 Powder-coated colours
Dimensions:

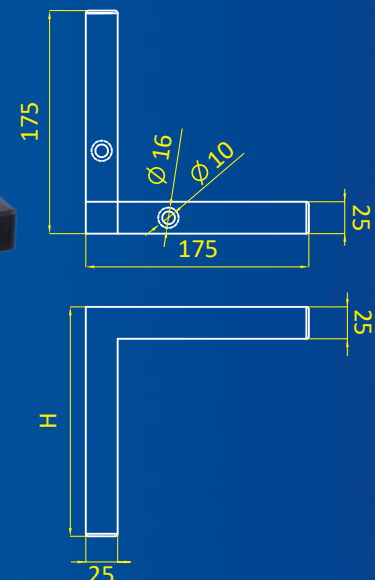
ARM LENGTH	HEIGHT
L 130 mm	H 100 mm
	H 120 mm Black
	H 130 mm
	H 170 mm
L 150 mm	H 120 mm
	H 150 mm
	H 150 mm Black Structure
	H 200 mm Black
OTHER HEIGHTS ON REQUEST	



SOFA LEG NR. 156 BB

Material: Steel
Finish: Black structure
Dimensions:

ARM LENGTH	HEIGHT
L 175 mm	H 120 mm
	H 180 mm
OTHER HEIGHTS ON REQUEST	

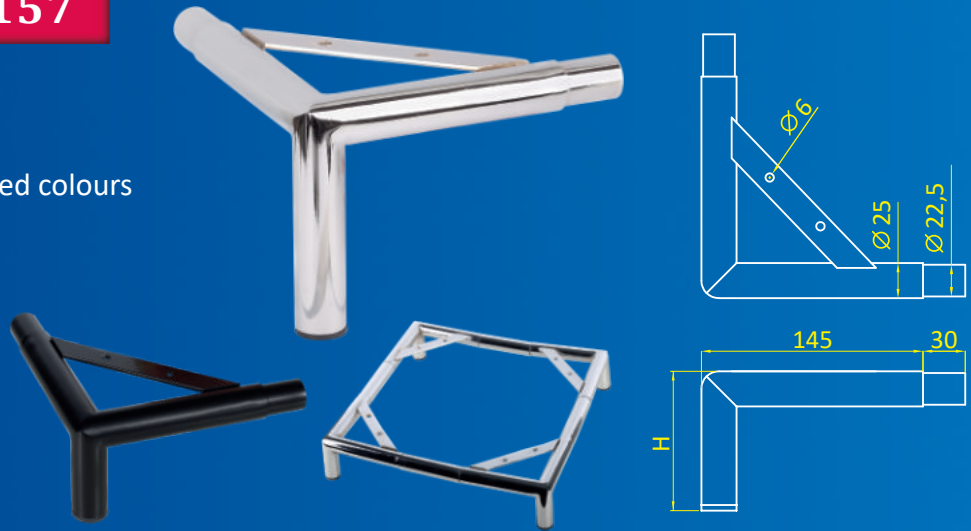


SOFA LEG NR. 157

Material: Steel
Finish: Chrome
 Powder-coated colours

Dimensions:

HEIGHT
H 80 mm
CONNECTS WITH TUBES Ø25
OTHER HEIGHTS ON REQUEST



SOFA LEG NR. 159

Material: Steel
Finish: Chrome, Black, Gold, Black structure
 Powder-coated colours

Dimensions:

HEIGHT	ARM LENGTH	ARM WIDTH
H 100 mm	L 110 mm	W 35 mm
H 120 mm	L 120 mm	W 25 mm
H 135 mm		
H 150 mm		
H 120 mm	L 130 mm	W 35 mm
H 135 mm		
H 150 mm		
H 170 mm		

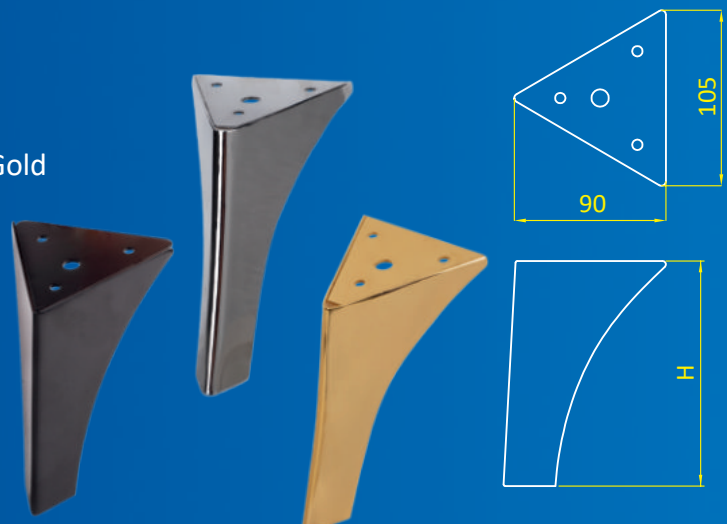


SOFA LEG NR. 160

Material: Steel
Finish: Chrome, Black, Black Chrome, Gold
 Powder-coated colours

Dimensions:

THICKNESS	HEIGHT
T 1,8 mm	H 105 mm
	H 138 mm

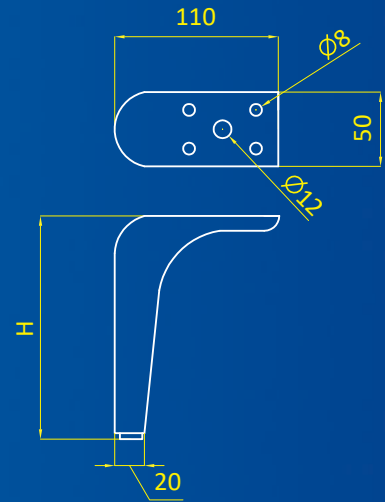


SOFA LEG NR. 162

Material: Steel
Finish: Black, Chrome, Black Chrome

Dimensions:

HEIGHT
H 150 mm

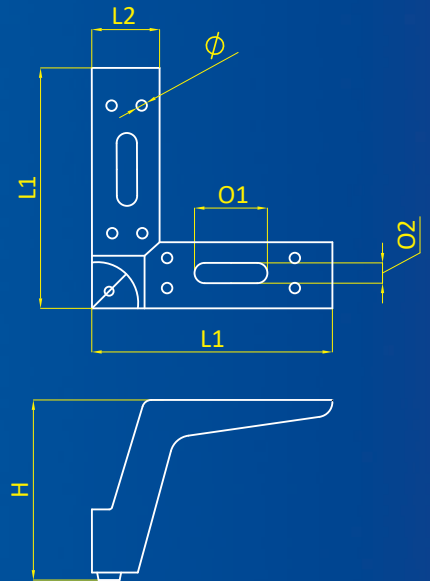


SOFA LEG NR. 163

Material: Steel
Finish: Chrome, Black
 Powder-coated colours

Dimensions:

No.	THICKNESS	HEIGHT	DIAMETER	ARM LENGTH	ARM LENGTH	HOLE [O1]/[O2]
1	T 2 mm	H 125 mm	Ø 6 mm	L1 116 mm	L2 35 mm	55/7 mm
2	T 2,5 mm	H 120 mm	Ø 8 mm	L1 169 mm	L2 40 mm	45/13 mm
3				L1 160 mm		

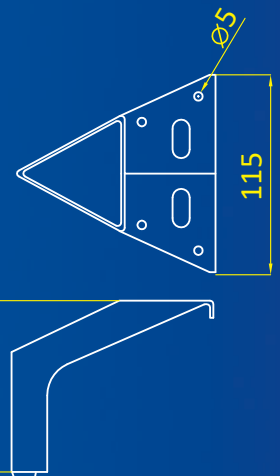


SOFA LEG NR. 165

Material: Steel
Finish: Chrome, Black
 Powder-coated colours

Dimensions:

THICKNESS	HEIGHT
T 2,5 mm	H 105 mm
	H 120 mm



SOFA LEG NR. 167

Material: Steel

Finish: Chrome, Black, Black Chrome,
Gold, Black - Gold

Powder-coated colours

Dimensions:

HEIGHT
H 100 mm
H 120 mm
H 130 mm
H 150 mm
H 150 mm Black-Gold
H 170 mm
OTHER HEIGHTS ON REQUEST



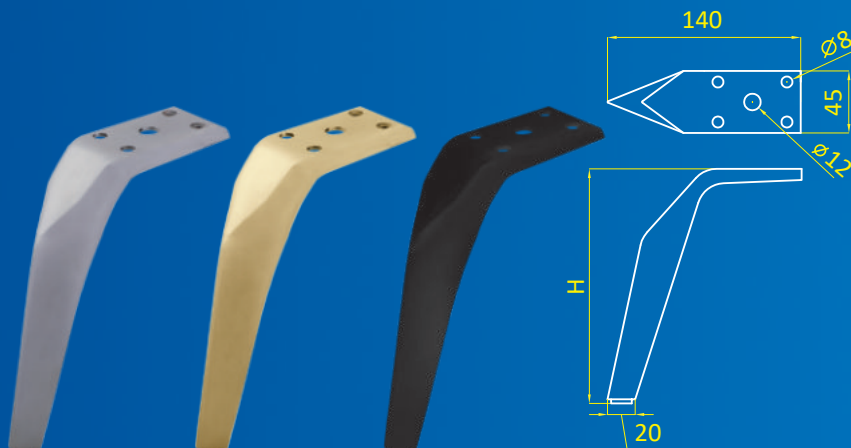
SOFA LEG NR. 168

Material: Steel

Finish: Chrome, Black, Gold

Dimensions:

HEIGHT
H 160 mm



SOFA LEG NR. 169

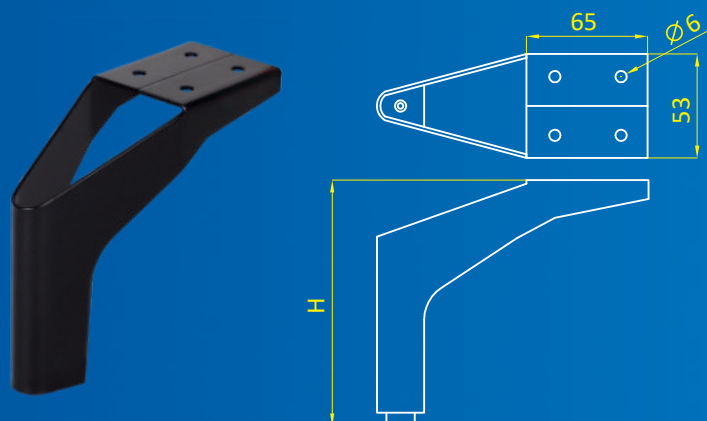
Material: Steel

Finish: Black

Powder-coated colours

Dimensions:

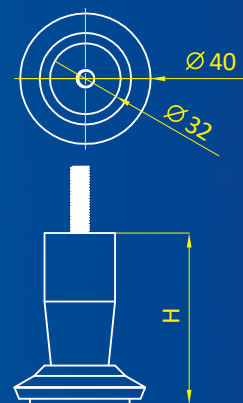
HEIGHT
H 160 mm
OPTIONALLY ADJUSTABLE SLIDE



SOFA LEG NR. 181

Material: Steel
Finish: Chrome, Black
Dimensions:

HEIGHT
H 80 mm



SOFA LEG NR. 182

Material: Steel
Finish: $\varnothing 25$, $\varnothing 40$ - Chrome, Black
 $\varnothing 50$ - Chrome, Anodized Aluminum, Black
 $\varnothing 60$ - Chrome, Anodized Aluminum, White, Black, Inox, Satin
 Powder-coated colours

Dimensions:

DIAMETER	HEIGHT	THREAD
$\varnothing 25$ mm $\varnothing 40$ mm $\varnothing 50$ mm $\varnothing 60$ mm	H 70 mm	M8
	H 80 mm	
	H 100 mm	
	H 120 mm	
	H 130 mm	
	H 150 mm	
	H 170 mm	
	H 180 mm	
	H 200 mm	
	H 300 mm	
OTHER HEIGHTS ON REQUEST		



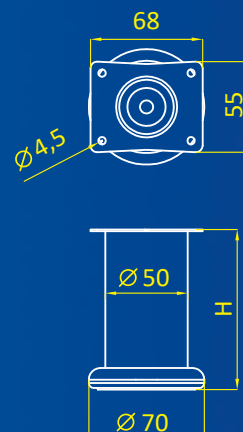
additional regulation

SOFA LEG NR. 185

Material: Steel
Finish: Chrome, Black
 Powder-coated colours

Dimensions:

DIAMETER	HEIGHT
$\varnothing 50$ mm	H 80 mm
	H 100 mm
	H 120 mm
	H 130 mm
	H 150 mm
OTHER HEIGHTS ON REQUEST	

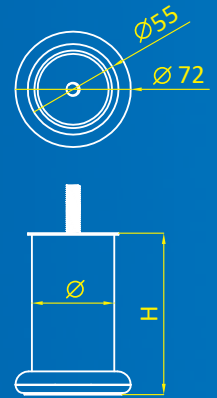
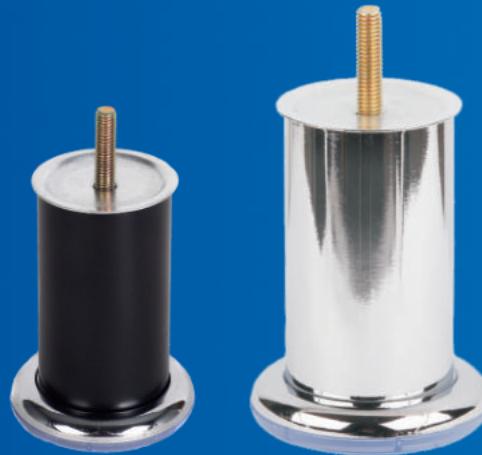


SOFA LEG NR. 186

Material: Steel
Finish: Chrome, Black
 Powder-coated colours

Dimensions:

DIAMETER	HEIGHT
ø 50 mm	H 80 mm
	H 100 mm
	H 120 mm
	H 130 mm
	H 150 mm
OTHER HEIGHTS ON REQUEST	



SOFA LEG NR. 202

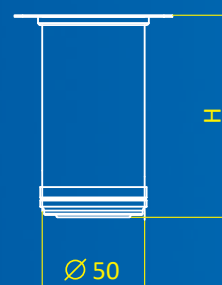
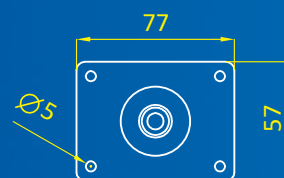
SOFA LEG NR. 202
 height-adjustable +/- 35 mm



Material: Steel
Finish: Chrome, aluminium
 Powder-coated colours

Dimensions:

DIAMETER	HEIGHT
ø 50 mm	H 80 mm
	H 100 mm
	H 120 mm
	H 130 mm
	H 150 mm
	H 300 mm
OTHER HEIGHTS ON REQUEST	



SOFA LEG NR. 217

Material: Steel
Finish: Chrome
 Powder-coated colours

Dimensions:

DIAMETER	HEIGHT
ø 40 mm	H 100 mm
	H 120 mm
	H 130 mm
	H 140 mm
	H 150 mm
OTHER HEIGHTS ON REQUEST	

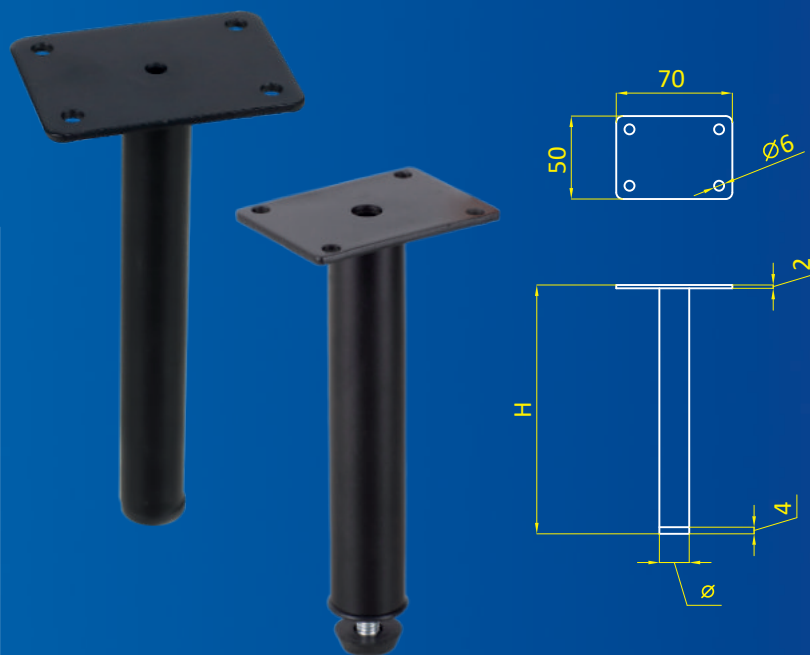


SOFA LEG NR. 219

Material: Steel
Finish: Black, Gold

Dimensions:

DIAMETER	HEIGHT
ø 19 mm	H 100 mm
	H 120 mm
	H 150 mm
ø 25 mm	H 120 mm
	H 150 mm
	H 180 mm
	H 200 mm
OTHER HEIGHTS ON REQUEST	

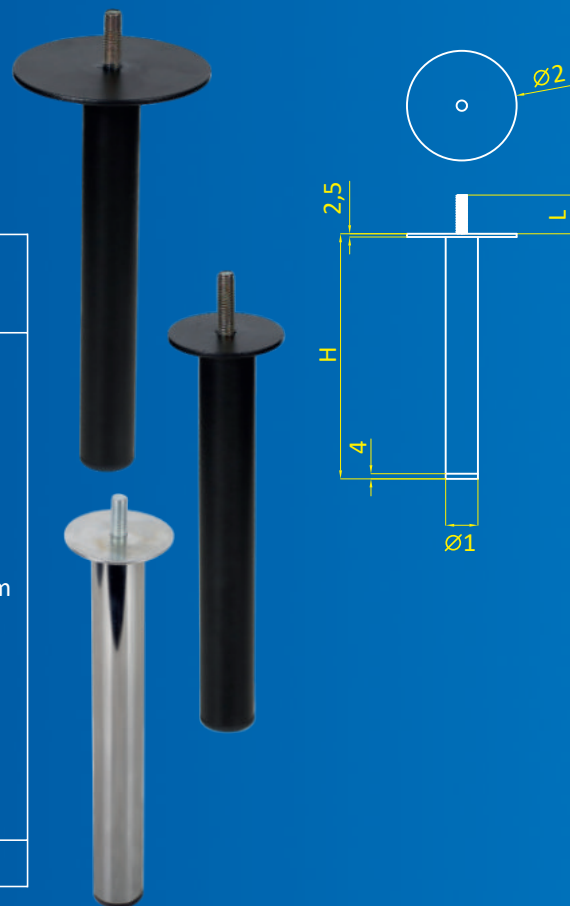


with adjustment

SOFA LEG NR. 221

Material: Steel
Finish: Black, Black Structure, Chrome
 Powder-coated colours
Dimensions:

HEIGHT	LEG DIAMETER [Ø 1]	PLATE DIAMETER [Ø 2]	THREAD	BOLT	
H 180 mm	Ø20 mm	Ø40 mm	M 8 mm	L 28 mm	
H 100 mm					
H 120 mm					
H 150 mm					
H 180 mm					
H 190 mm	Ø25 mm	Ø50 mm			
H 100 mm					
H 120 mm					
H 150 mm					
H 180 mm					
H 190 mm	Ø40 mm	Ø50 mm			
H 100 mm					
H 120 mm					
H 150 mm					
H 180 mm					
H 190 mm	OTHER HEIGHTS ON REQUEST				



SOFA LEG NR. 223

Material: Steel
Finish: Chrome, Black, Gold
 Powder-coated colours
Dimensions:

HEIGHT
H 100 mm
H 120 mm
H 130 mm
H 142 mm
H 150 mm
H 180 mm
H 182 mm
H 184 mm
OTHER HEIGHTS ON REQUEST
ADJUSTABLE OPTION

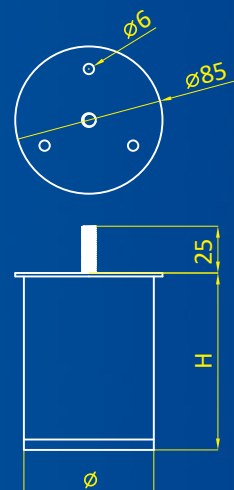
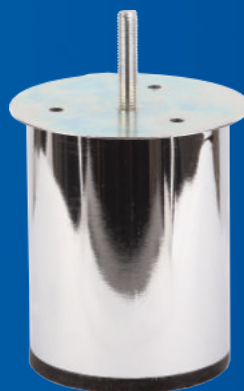


SOFA LEG NR. 233

Material: Steel
Finish: Chrome
 Powder-coated colours

Dimensions:

THREAD	DIAMETER	HEIGHT
M8	∅ 75 mm	H 80 mm
M10	∅ 50 mm	
OTHER HEIGHTS ON REQUEST		



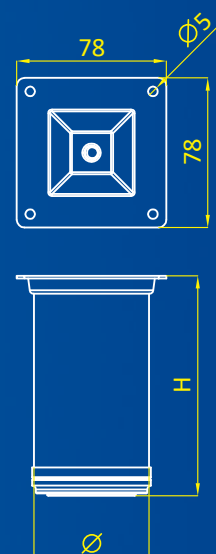
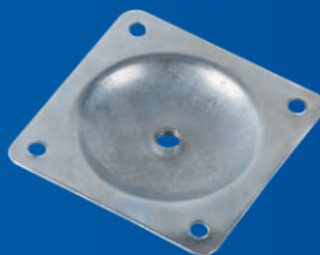
SOFA LEG NR. 236

Material: Steel
Finish: Chrome, Black
 Powder-coated colours

Dimensions:

DIAMETER OF THE BASE	HEIGHT
∅ 60 mm	H 100 mm
	H 120 mm
	H 130 mm
	H 140 mm
	H 150 mm
	H 300 mm
OTHER HEIGHTS ON REQUEST	

SOFA LEG NR. 236 height-adjustable +/- 25 mm

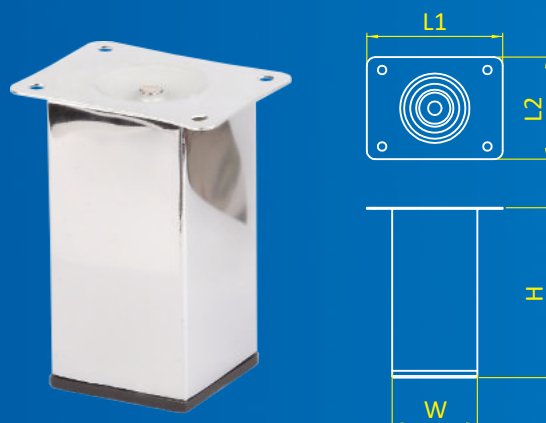


SOFA LEG NR. 251

Material: Steel
Finish: Chrome
 Powder-coated colours

Dimensions:

BASE WIDTH	PLATE LENGTH	PLATE WIDTH	HEIGHT
W 40 x 40 mm	L1 75 mm	L2 56 mm	H 80 mm
OTHER HEIGHTS ON REQUEST			

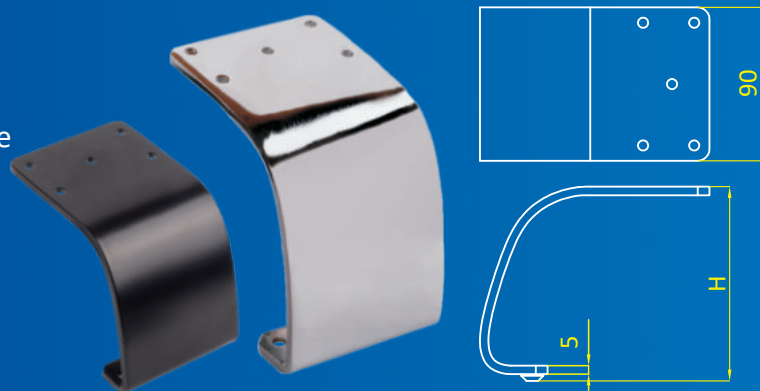


SOFA LEG NR. 267

Material: Steel
Finish: Chrome, Black, Black Chrome
 Powder-coated colours

Dimensions:

WIDTH	HEIGHT
W 90 mm	H 100 mm
	H 120 mm

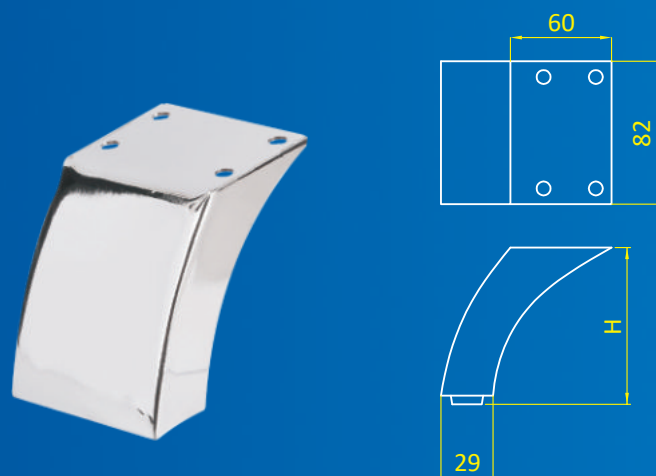


SOFA LEG NR. 275

Material: Steel
Finish: Chrome, Black, Black Chrome
 Powder-coated colours

Dimensions:

WIDTH	HEIGHT
W 82 mm	H 90 mm

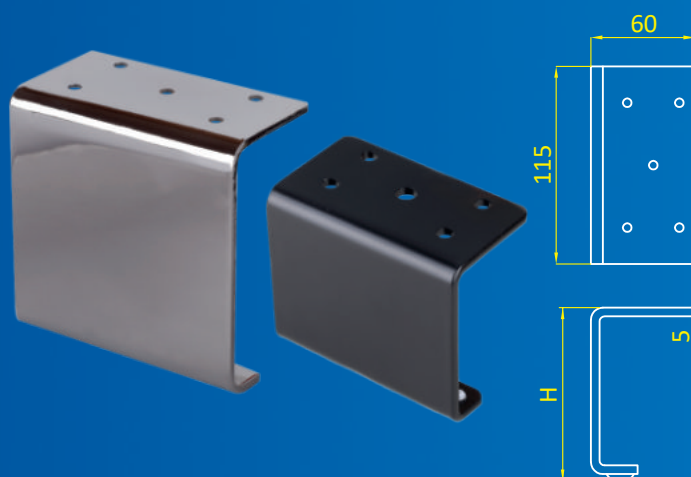


SOFA LEG NR. 278

Material: Steel
Finish: Chrome, Black, Black Chrome
 Powder-coated colours

Dimensions:

WIDTH	HEIGHT
W 115 mm	H 100 mm
	H 120 mm



SOFA LEG NR. 283

Material: Steel
Finish: Chrome, Black, Black Chrome
 Powder-coated colours

Dimensions:

WIDTH	HEIGHT
W 90 mm	H 100 mm



SOFA LEG NR. 285

Material: Steel
Finish: Chrome, Black, Black Chrome
 Powder-coated colours

Dimensions:

WIDTH	HEIGHT
W 90 mm	H 100 mm

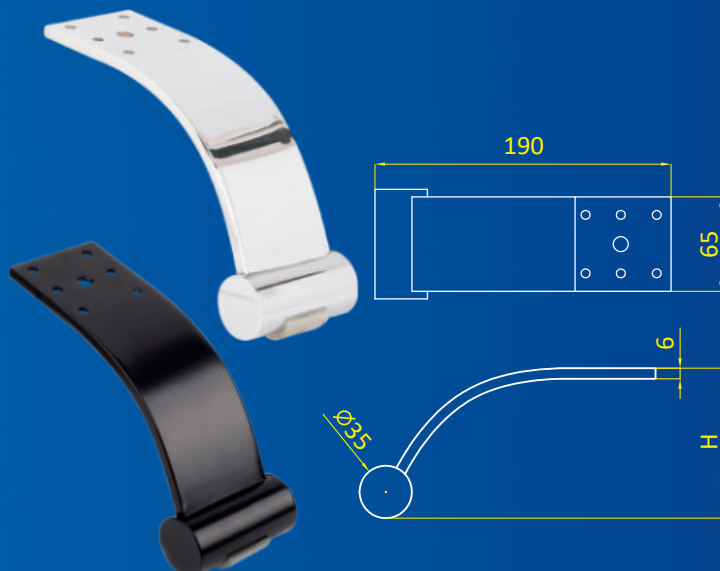


SOFA LEG NR. 286

Material: Steel
Finish: Chrome, Black, Black Chrome
 Powder-coated colours

Dimensions:

WIDTH	HEIGHT
W 65 mm	H 100 mm
	H 120 mm

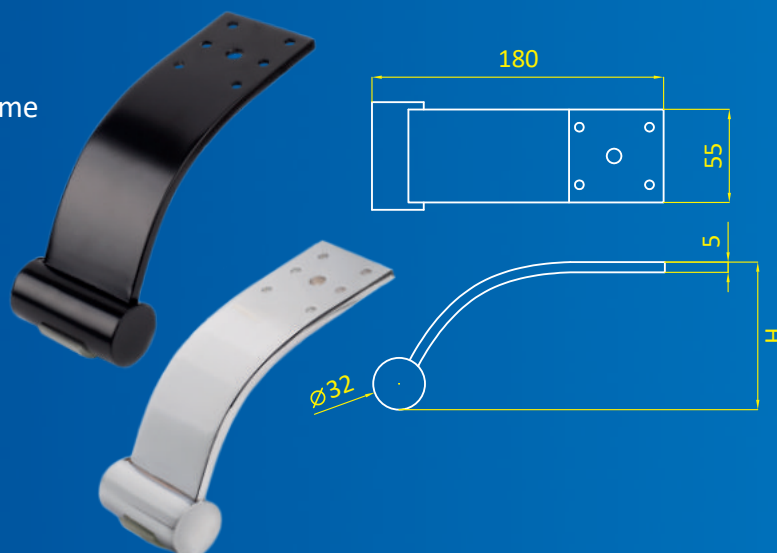


SOFA LEG NR. 287

Material: Steel
Finish: Chrome, Black, Black Chrome
 Powder-coated colours

Dimensions:

WIDTH	HEIGHT
W 55 mm	H 120 mm

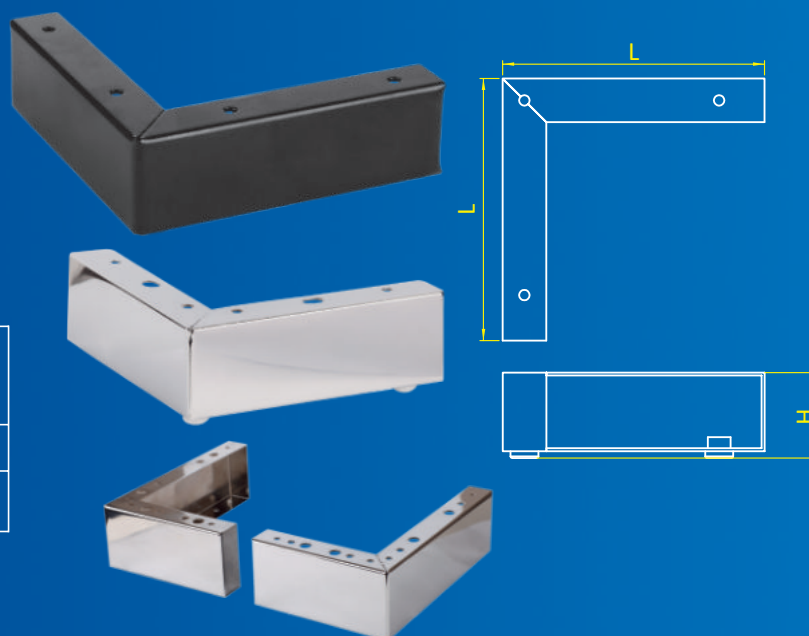


SOFA LEG NR. 296

Material: Steel
Finish: Chrome, Black
 Powder-coated colours

Dimensions:

ARM LENGTH	HEIGHT
L 150 mm	H 50 mm
L 210x140 mm two-sided	H 70 mm

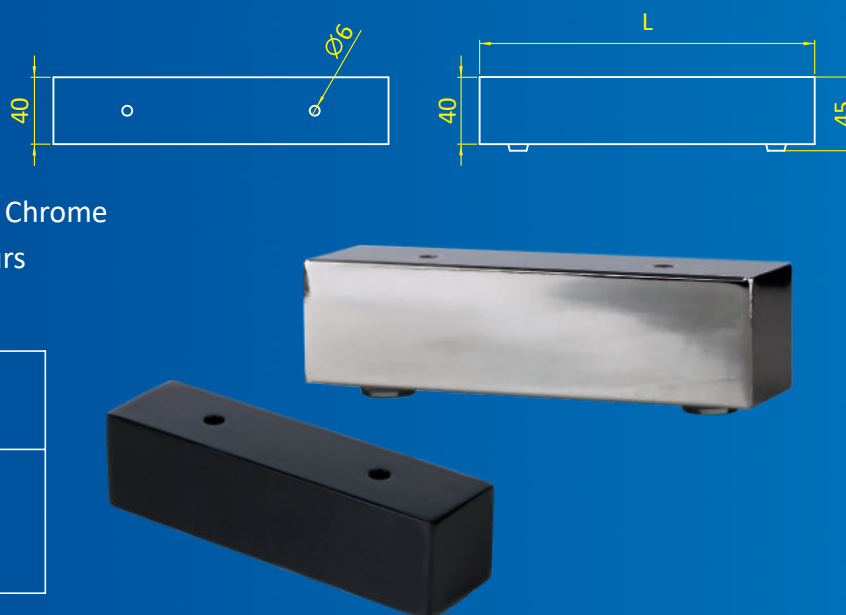


SOFA LEG NR. 368

Material: Steel
Finish: Chrome, Black, Black Chrome
 Powder-coated colours

Dimensions:

PROFIL	LENGTH	HEIGHT
40 mm	L 90 mm	H 45 mm
	L 150 mm	
	L 200 mm	

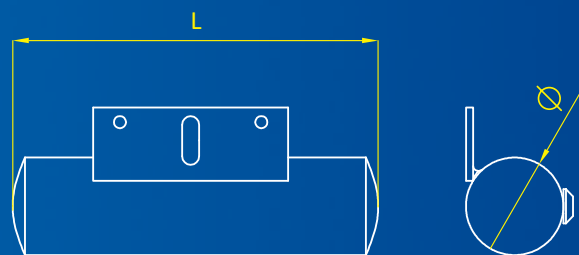
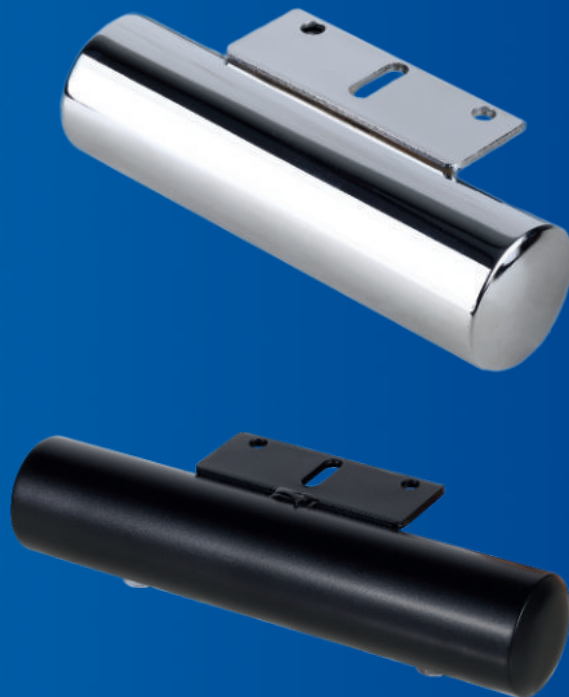


SOFA LEG NR. 391

Material: Steel
Finish: Chrome, Black
 Powder-coated colours

Dimensions:

DIAMETER	LENGTH
ø 40 mm	L 100 mm
	L 130 mm
	L 150 mm
	L 180 mm
	L 200 mm
	L 220 mm
	L 250 mm
ø 50 mm	L 100 mm
	L 150 mm
	L 200 mm
ø 50 mm with two handles	L 350 mm
ø 60 mm	L 200 mm

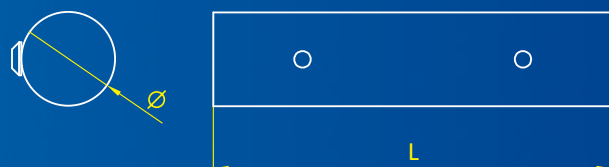
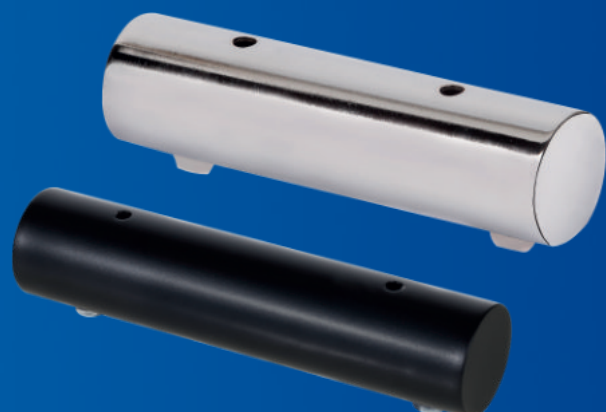


SOFA LEG NR. 402

Material: Steel
Finish: Chrome, Black
 Powder-coated colours

Dimensions:

DIAMETER	LENGTH
ø 40 mm	L 100 mm
	L 180 mm
ø 50 mm	L 100 mm
	L 150 mm
	L 200 mm

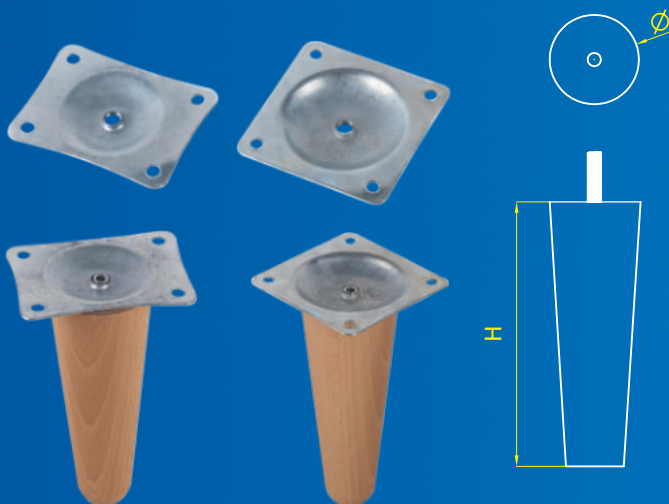


WOODEN LEGS D51

Material: Wood

Dimensions:

FINISH	DIAMETER [Ø]	HEIGHT
RAW COLORLESS WHITE BRONZE BLACK	D55	H 100 mm
		H 120 mm
		H 130 mm
		H 150 mm
		H 160 mm
		H 170 mm
		OTHER HEIGHTS ON REQUEST



D51-2



D51-3



D51-4



D51-8



D51-9

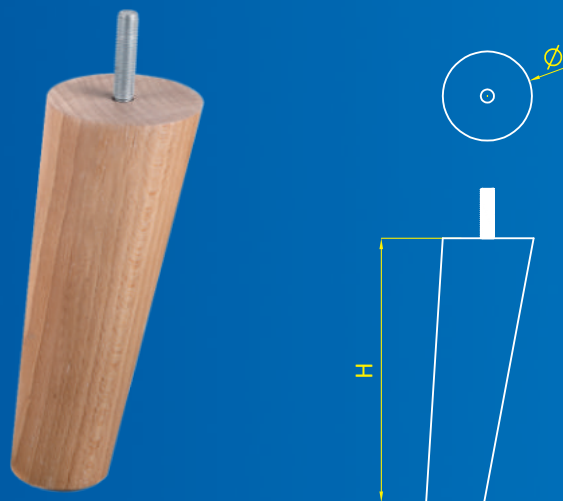


WOODEN LEGS D52

Material: Wood

Dimensions:

FINISH	DIAMETER [Ø]	HEIGHT
RAW COLORLESS WHITE BRONZE BLACK	D55	H 120 mm
		H 130 mm
		H 150 mm
		H 160 mm
		H 170 mm
		OTHER HEIGHTS ON REQUEST

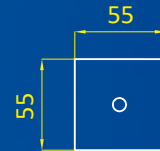


WOODEN LEGS D53

Material: Wood

Dimensions:

FINISH	EDGE LENGTH	HEIGHT
RAW COLORLESS WHITE BRONZE BLACK	55x55 cm	H 120 mm
		H 130 mm
		H 150 mm
		H 160 mm
		H 170 mm
		OTHER HEIGHTS ON REQUEST



WE PAINT POWDER LEGS



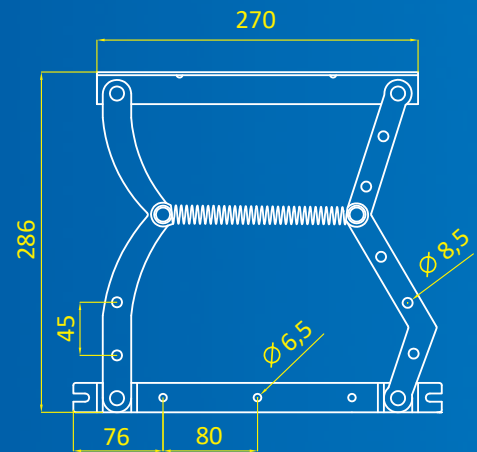
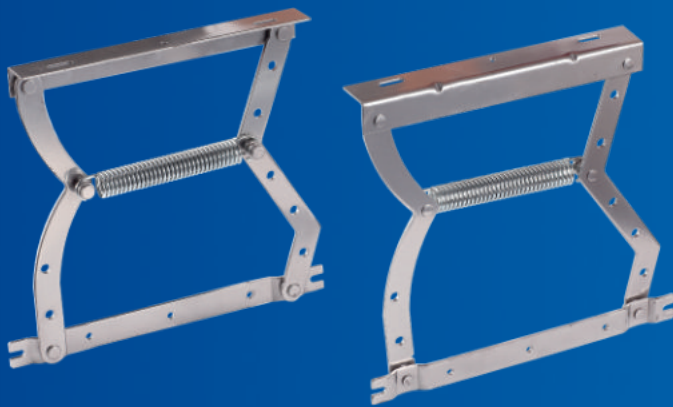
SOFA MECHANISM NR. C14

Material: Steel



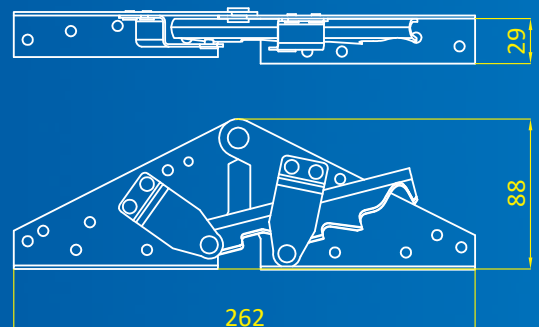
SOFA MECHANISM NR. C69-2

Material: Steel



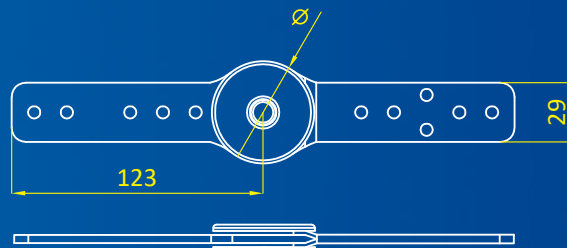
SOFA MECHANISM NR. C300

Material: Steel

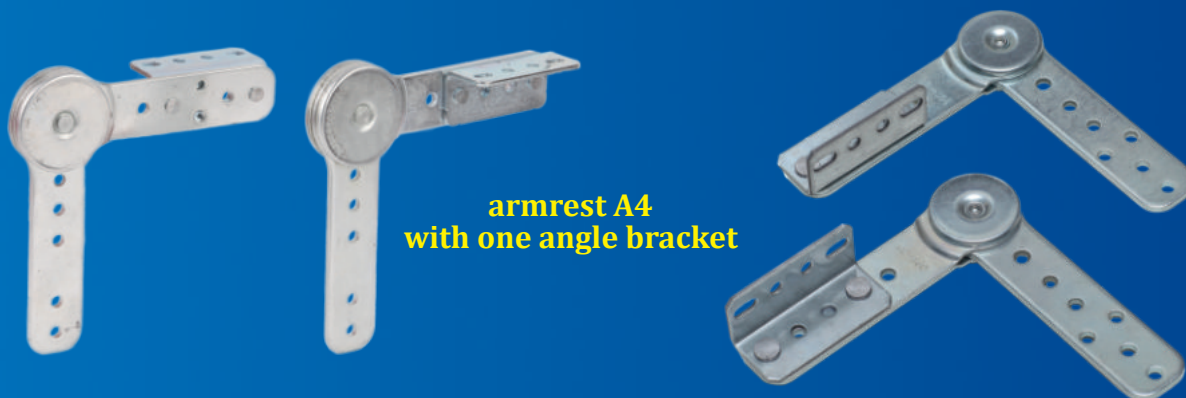
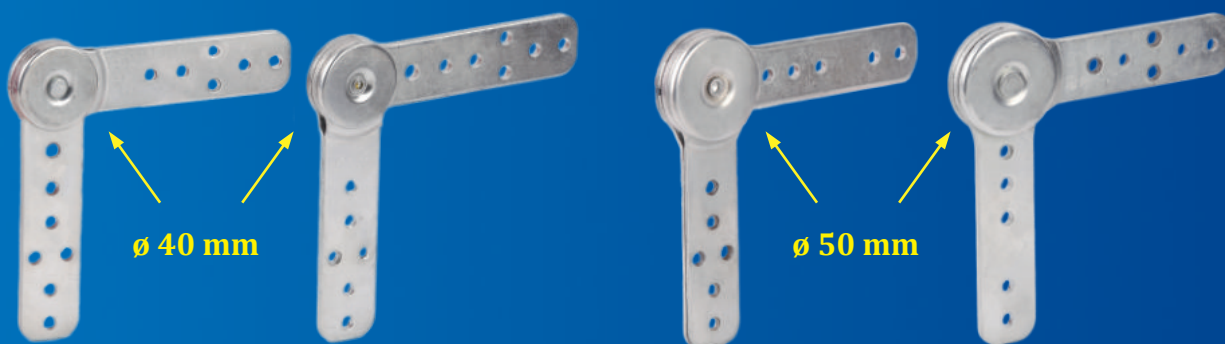


ARMREST A4

- Material:** Steel
- Finish:** Zinc
- Optional:** Angle bracket, extension piece
- Dimensions:**



DIAMETER	STARTING ANGLE	NUMBER OF STOPS	LAST STOP ANGLE	MAXIMUM TILT ANGLE (RETURN)
ø 40 mm	90°	3 (every 15°)	135°	150°
		4 (every 15°)	150°	165°
		5 (every 15°)	165°	180°
		6 (every 15°)	180°	195°
ø 50 mm	90°	6 (every 9°)	144°	153°
		7 (every 9°)	153°	162°



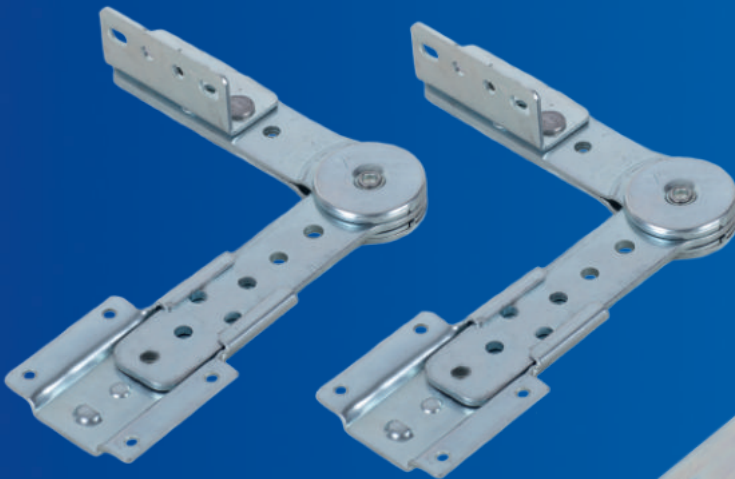
armrest A4 with two angle brackets



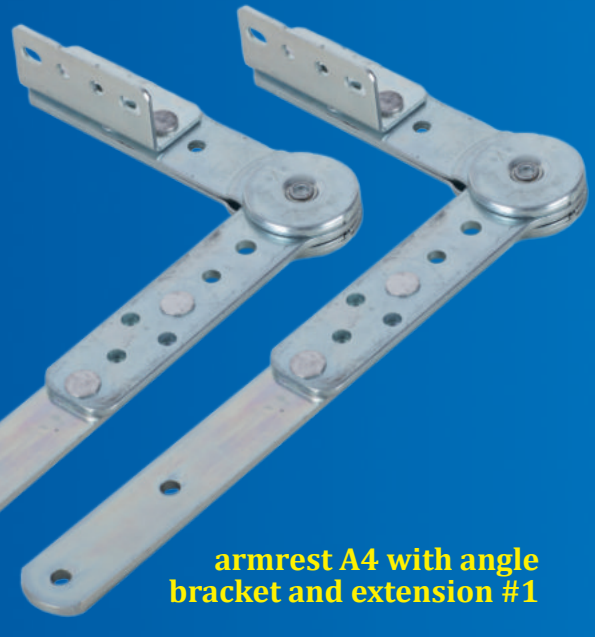
armrest A4 with extension #2



armrest A4 with extension #1



**armrest A4 with angle
bracket and extension #2**



**armrest A4 with angle
bracket and extension #1**



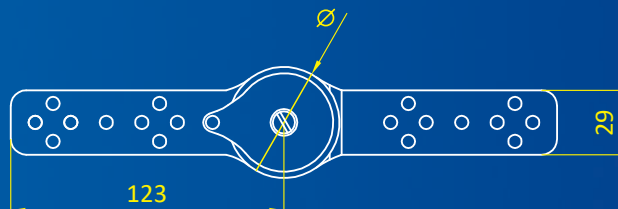
extension #1



extension #2

ARMREST A4 SPR with spring

Material: Steel
Finish: Zinc
Optional: Angle bar, extension bar



Dimensions:

DIAMETER	STARTING ANGLE	NUMBER OF STOPS	LAST STOP ANGLE	MAXIMUM TILT ANGLE (RETURN)
∅ 40 mm	90°	3 (every 15°)	135°	150°
		5 (every 15°)	165°	180°
		6 (every 15°)	180°	195°



A4 SPR armrest



A4 SPR armrest with angle brackets



A4 SPR armrest with two angle brackets



A4 SPR armrest with angle brackets and extension #2



**A4 SPR armrest
with one angle bracket and extension #1**



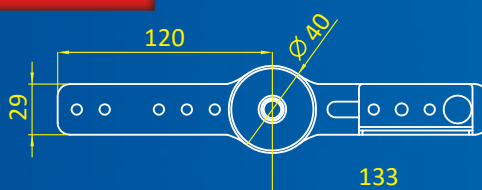
extension #1

extension #2

ARMREST A600 with angle bracket

Material: Steel

Finish: Zinc



Dimensions:

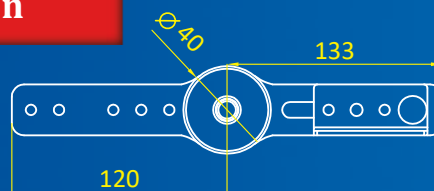
DIAMETER	STARTING ANGLE	NUMBER OF STOPS	LAST STOP ANGLE	MAXIMUM TILT ANGLE (RETURN)
ø 40 mm	90°	5 (every 15°)	165°	180°



ARMREST A700 with angle bracket and automatic return

Material: Steel

Finish: Zinc



Dimensions:

DIAMETER	STARTING ANGLE	NUMBER OF STOPS	LAST STOP ANGLE	MAXIMUM TILT ANGLE (RETURN)
ø 40 mm	90°	3 (every 15°)	135°	150°
		6 (every 15°)	180°	195°



HEADREST A200/2H

Material: Steel

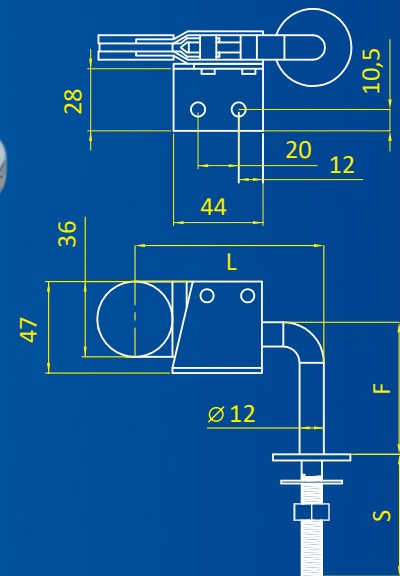
Finish: Chrome, Black

Dimensions:

NO. OF HOLES	NUMBER OF STOPS	LAST STOP ANGLE	MAXIMUM TILT ANGLE	DIMENSION		
				L	F	S
2	5 (every 15°)	165°	180°	90 mm	64 mm	70 mm
	6 (every 15°)	180°	195°	85 mm	64 mm	65 mm



Black



HEADREST A200 PLUS with a confirmat screw insert

Material: Steel

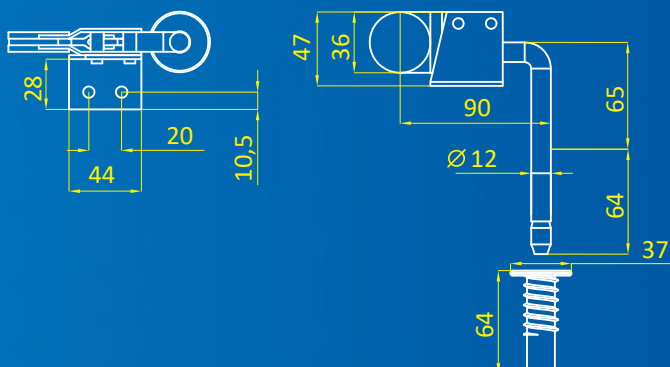
Finish: Chrome, Black

Dimensions:

NO. OF HOLES	NUMBER OF STOPS	LAST STOP ANGLE	MAXIMUM TILT ANGLE
2	6 (every 15°)	180°	195°



Black



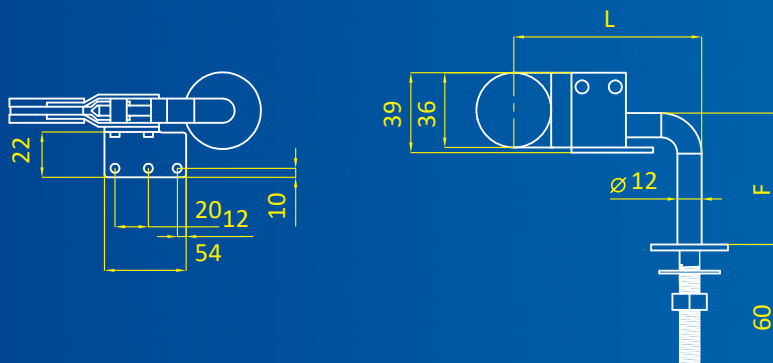
HEADREST A200/3H

Material: Steel

Finish: Chrome

Dimensions:

NO. OF HOLES	NUMBER OF STOPS	LAST STOP ANGLE	MAXIMUM TILT ANGLE	DIMENSION		
				L	F	S
3	6 (every 15°)	180°	195°	89 mm	70 mm	65 mm



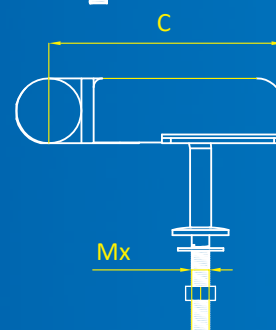
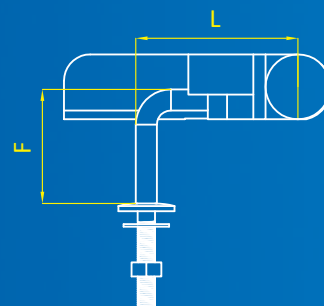
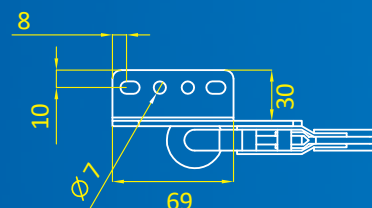
HEADREST A500

Material: Steel

Finish: Zinc, Black

Dimensions:

NUMBER OF STOPS	LAST STOP ANGLE	MAXIMUM TILT ANGLE	DIMENSION		
			L	F	S
6 (every 15°)	180°	195°	90 mm	65 mm	75 mm



Black

HEADREST G01E

Material: Steel
Finish: Chrome
 Adjustable to any angle

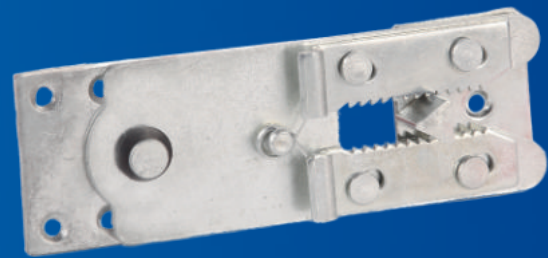
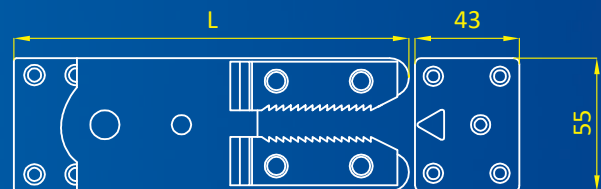


FURNITURE CONNECTOR NR. 1

Material: Steel
Finish: Zinc

Dimensions:

LENGTH
L 140 mm
L 160 mm
L 180 mm
L 220 mm

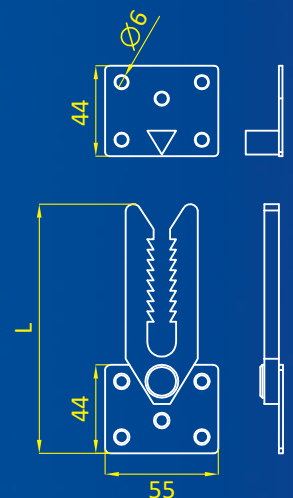


FURNITURE CONNECTOR NR. 2

Material: Plate Steel + Zinc
Rack: Plastic

Dimensions:

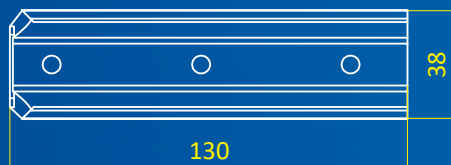
LENGTH
L 122 mm



UPHOLSTERY SPLINT STRAIGHT

Material: Steel

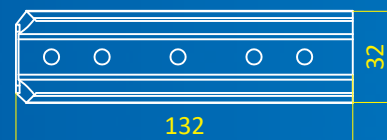
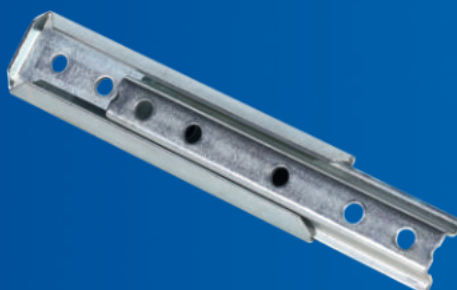
Finish: Zinc



UPHOLSTERY SPLINT 5 HOLE STRAIGHT

Material: Steel

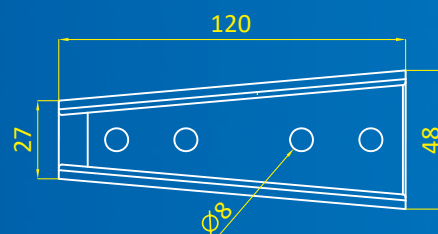
Finish: Zinc



UPHOLSTERY SPLINT TRIANGULAR

Material: Steel

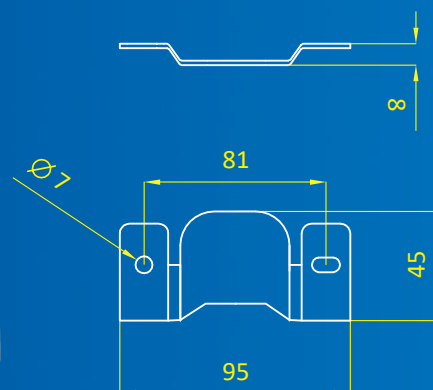
Finish: Zinc



FURNITURE CATCH

Material: Steel

Finish: Zinc



BOTTOM INSERT

Colour: Black

Dimensions:

DIAMETER
ø 6 mm
ø 6x15 mm
ø 14 mm
ø 16 mm
ø 18 mm
ø 19 mm
ø 20 mm
ø 22 mm
ø 25 mm
ø 40 mm
ø 50 mm
ø 60 mm



ø6x15 mm

bottom insert oval

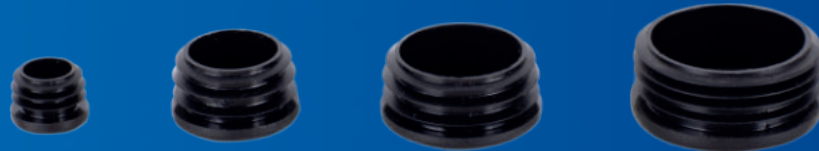


ø14 mm

ø25 mm

ø40 mm

ø60 mm



BOTTOM INSERT ADJUSTABLE

Colour: Black

Dimensions:

DIAMETER
ø 25 mm
ø 50 mm
ø 60 mm



ø25 mm

ø50 mm

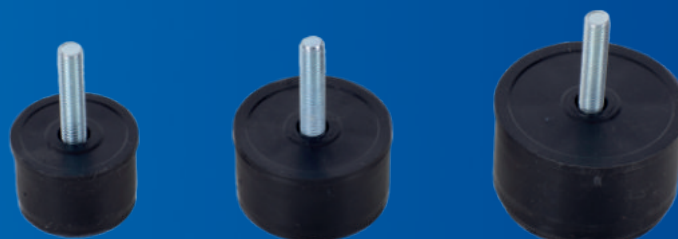
ø60 mm

TOP INSERT WITH SCREW M8

Colour: Black

Dimensions:

DIAMETER
ø 40 mm
ø 50 mm
ø 60 mm



ø40 mm

ø50 mm

ø60 mm

END CAPS



ROUND COVER CAP

Colour: Chrome

Dimensions:

DIAMETER
ø 25 mm
ø 40 mm
ø 50 mm
ø 60 mm



SLIDES



BOLTS

Dimensions:

THREAD	LENGTH
M 8	6k x 35 mm
	6k x 80 mm
	90 mm
	100 mm
	116 mm
	119 mm
	122 mm
	127 mm
	132 mm
	146 mm
	152 mm
	166 mm
175 mm	
180 mm	
M 10	119 mm



TWO-SCREW WOOD SCREW M10

Material: Steel



SELF-TIGHTENING NUT M10

Material: Steel



DRAWER SYSTEM

SLIM BOX H86

Material: Steel

Dimensions:

FINISH	HEIGHT	LENGTH
White Gray	H 86 mm	L 300 mm
		L 350 mm
		L 400 mm
		L 450 mm
		L 500 mm

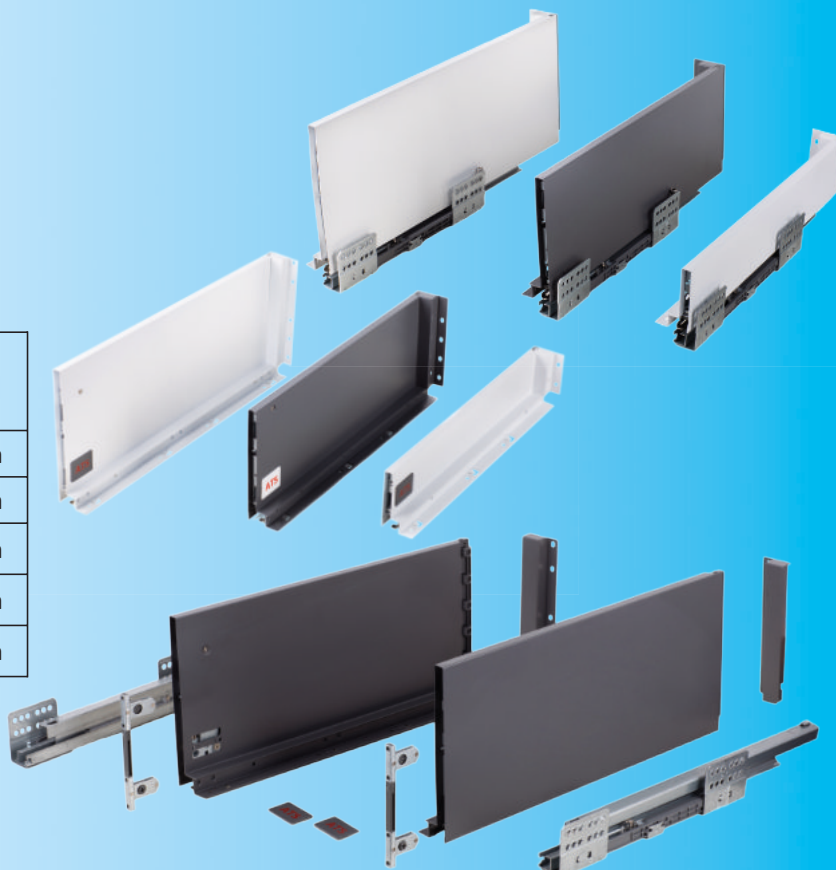


SLIM BOX H167

Material: Steel

Dimensions:

FINISH	HEIGHT	LENGTH
White Gray	H 167 mm	L 300 mm
		L 350 mm
		L 400 mm
		L 450 mm
		L 500 mm



SLIM BOX H199

Material: Steel

Dimensions:

FINISH	HEIGHT	LENGTH
White Gray	H 199 mm	L 300 mm
		L 350 mm
		L 400 mm
		L 450 mm
		L 500 mm

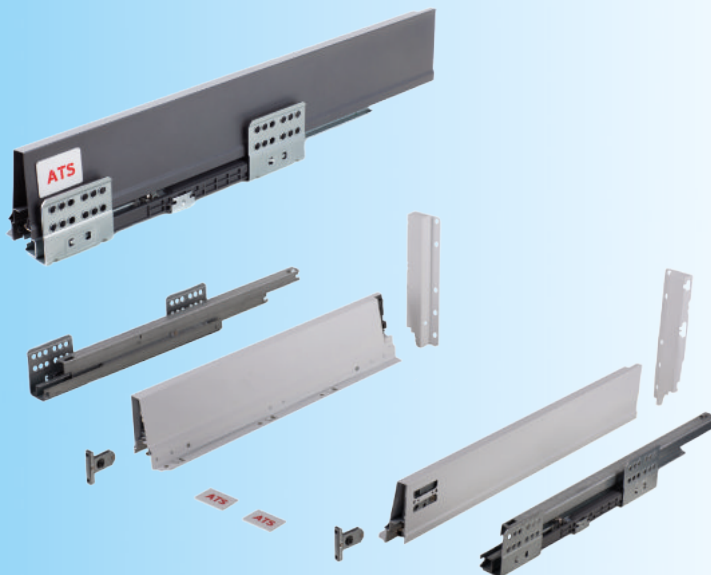


SQUARE BOX H84

Material: Steel

Dimensions:

FINISH	HEIGHT	LENGTH
White Gray	H 84 mm	L 450 mm
		L 500 mm



SQUARE BOX H140

Material: Steel

Dimensions:

FINISH	HEIGHT	LENGTH
White Gray	H 140 mm	L 450 mm
		L 500 mm

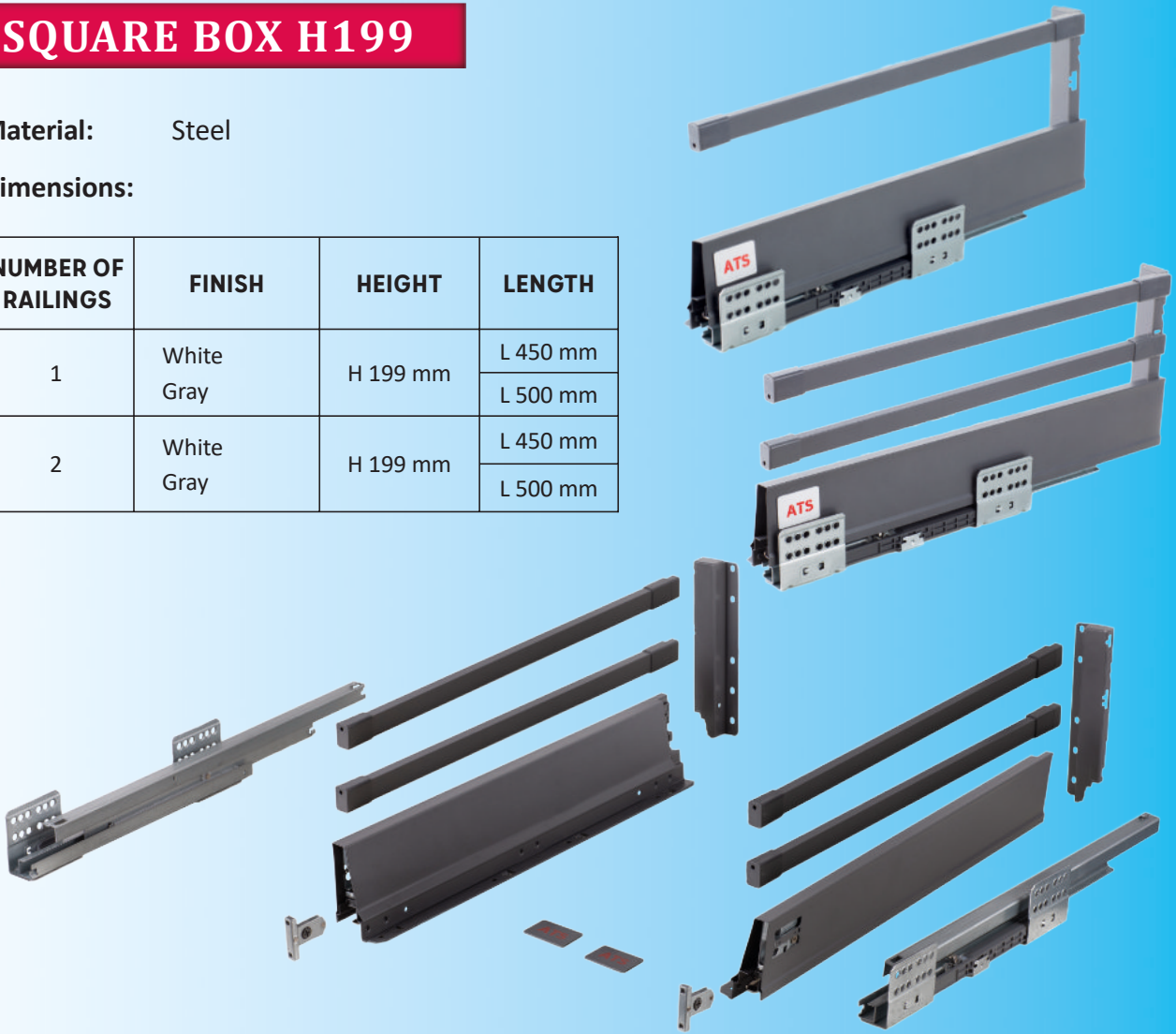


SQUARE BOX H199

Material: Steel

Dimensions:

NUMBER OF RAILINGS	FINISH	HEIGHT	LENGTH
1	White Gray	H 199 mm	L 450 mm
			L 500 mm
2	White Gray	H 199 mm	L 450 mm
			L 500 mm

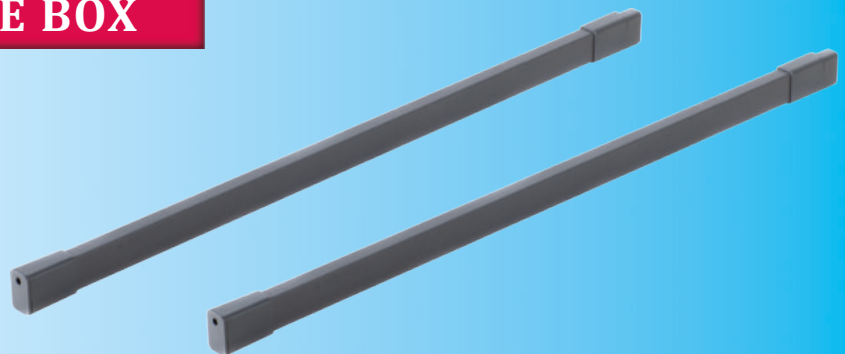


RELING DO SQUARE BOX

Material: Steel

Dimensions:

FINISH	HEIGHT
White Gray	L 450 mm
	L 500 mm



RELING HOLDER

Material: Steel

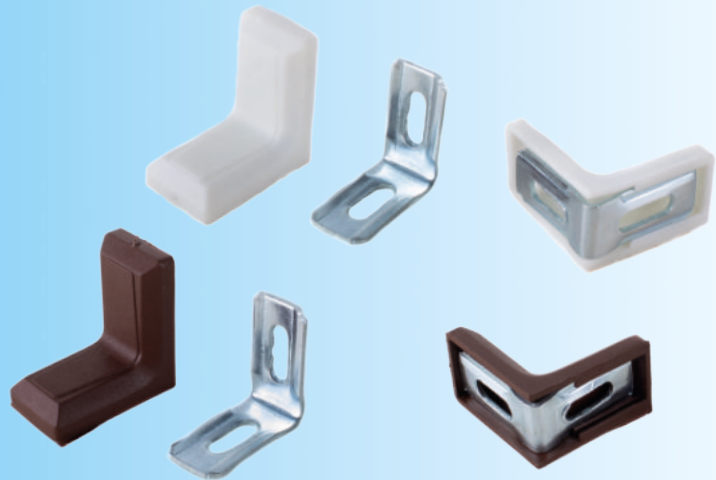
Dimensions:

FINISH	HEIGHT
White / Gray	199 mm



ANGLE BRACKETS

Material: Steel + plastic
Finish: White, Brown



SLIDING DOOR SYSTEM

DP-020/A



Material: Steel
Finish: Zinc

DP-20RF/A



Material: Steel
Finish: Zinc

DP-120/A



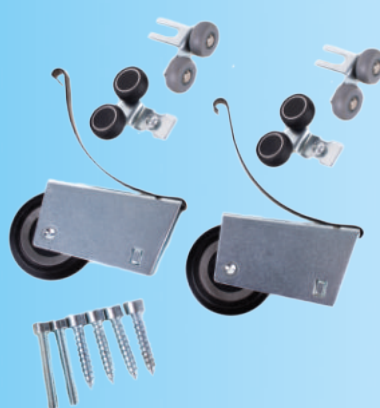
Material: Steel
Finish: Zinc

DP-710/A



Material: Steel
Finish: Zinc

DP-806/A



Material: Steel
Finish: Zinc

DP-910/A

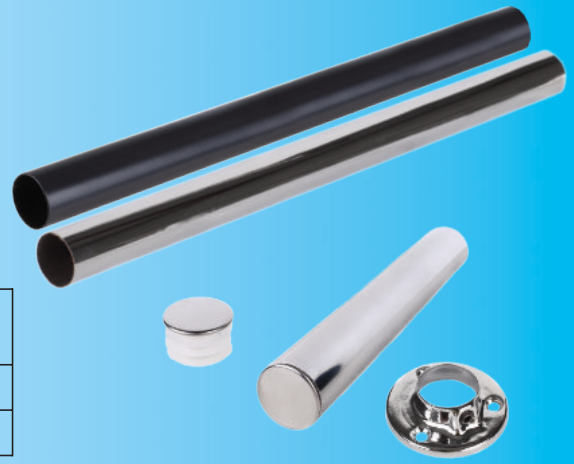


Material: Steel
Finish: Zinc

WARDROBE RAIL \varnothing 25

Material: Steel
Finish: Chrome, Black
Dimensions:

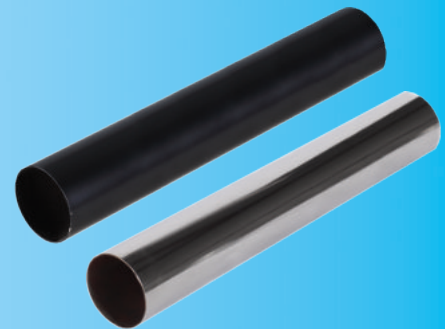
DIAMETER	LENGTH
\varnothing 25 mm	L 3 m
	OTHER LENGTHS UNDER 3M ON REQUEST



WARDROBE RAIL \varnothing 40

Material: Steel
Finish: Chrome, Black
Dimensions:

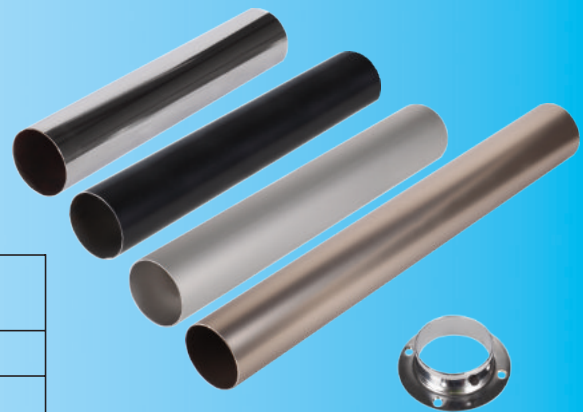
DIAMETER	LENGTH
\varnothing 40 mm	L 3 m
	OTHER LENGTHS UNDER 3M ON REQUEST



WARDROBE RAIL \varnothing 50

Material: Steel
Finish: Chrome, Black, aluminium
Dimensions:

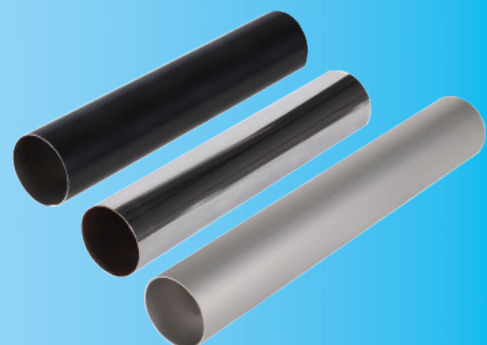
DIAMETER	LENGTH
\varnothing 50 mm	L 3 m
	OTHER LENGTHS UNDER 3M ON REQUEST



WARDROBE RAIL \varnothing 60

Material: Steel
Finish: Chrome, Black
Dimensions:

DIAMETER	LENGTH
\varnothing 60 mm	L 3 m
	OTHER LENGTHS UNDER 3M ON REQUEST



OVAL RAIL

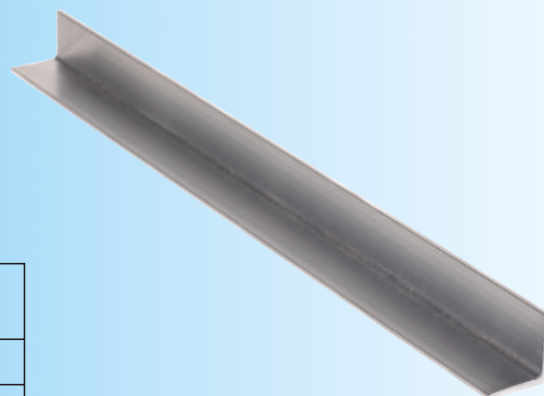
Material: Steel
Finish: Chrome, Black
Dimensions:



DIAMETER	LENGTH
ø 15 x 30 mm	L 3 m
	OTHER LENGTHS UNDER 3M ON REQUEST

PROFIL NR. 1

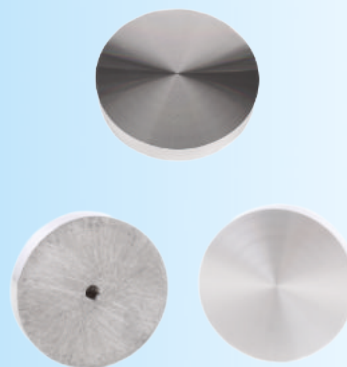
Material: Steel
Finish: Aluminium
Dimensions:



WIDTH	THICKNESS	LENGTH
30 x 30 mm	T 3 mm	L 4 m
		OTHER LENGTHS ON REQUEST

DISCS FOR GLASS

Material: Aluminium
Finish: Laser
Dimensions:



BORE	DIAMETER	THICKNESS
M6	ø 55 mm	10 mm
M6	ø 60 mm	10 mm
M8		

TABLE LEG 120

Material: Steel
Finish: Black
 Powder-coated colours

Dimensions:

HEIGHT
H 650 mm

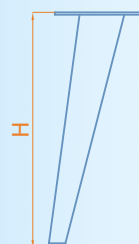
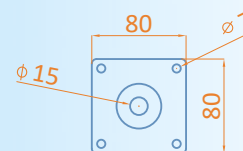


TABLE LEG CHROME

Material: Steel
Finish: Chrome
Mounting: Steel, Aluminium

Dimensions:

DIAMETER	HEIGHT
ø 50 mm	H 710 mm
ø 60 mm	H 710 mm
	H 820 mm
	H 1100 mm
OTHER HEIGHTS ON REQUEST	



TABLE LEG CZARNA

Material: Steel
Finish: Black
Mounting: Steel, Aluminium

Dimensions:

DIAMETER	HEIGHT
ø 60 mm	H 710 mm
OTHER HEIGHTS ON REQUEST	



TABLE LEG BIAŁA

Material: Steel
Finish: Biel
Mounting: Steel, Aluminium

Dimensions:

DIAMETER	HEIGHT
ø 60 mm	H 710 mm
OTHER HEIGHTS ON REQUEST	



TABLE LEG MATT-CHROME

Material: Steel
Finish: Aluminium
Mounting: Steel, Aluminium
Dimensions:

DIAMETER	HEIGHT
ø 60 mm	H 710 mm
OTHER HEIGHTS ON REQUEST	



TABLE LEG MAT NICKEL

Material: Steel
Finish: Satin
Mounting: Steel, Aluminium
Dimensions:

DIAMETER	HEIGHT
ø 60 mm	H 710 mm
OTHER HEIGHTS ON REQUEST	



TABLE LEG INOX

Material: Steel
Finish: Inox
Mounting: Steel
Dimensions:

DIAMETER	HEIGHT
ø 60 mm	H 710 mm
OTHER HEIGHTS ON REQUEST	



HAIRPIN 101

Material: Steel

Finish: Black, Gold

Dimensions:

NUMBER OF BARS	HEIGHT	BAR DIAMETER [Ø]
R 2 pcs.	H 120 mm	12 mm
	H 406 mm	10 mm
	H 457 mm	10 mm
	H 508 mm	10 mm
R 3 pcs.	H 120 mm	12 mm
	H 710 mm	10 mm



BALL BEARING SLIDE BB 17

Material: Steel

Finish: Zinc

Dimensions:

HEIGHT	LENGTH
17 mm	L 342 mm
	L 372 mm
	L 406 mm



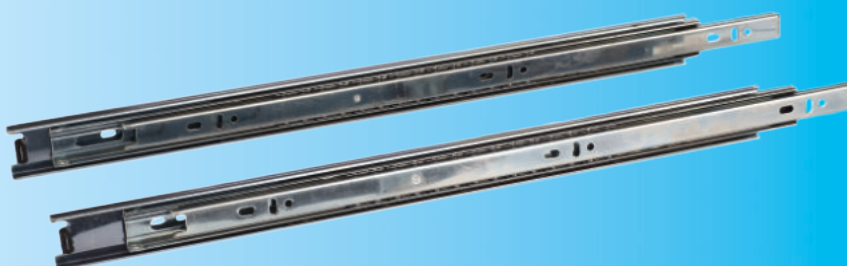
BALL BEARING SLIDE BB 35

Material: Steel

Finish: Zinc

Dimensions:

HEIGHT	LENGTH
35 mm	L 400 mm
	L 450 mm
	L 500 mm
	L 550 mm



BALL BEARING SLIDE BB 45

Material: Steel

Finish: Zinc

Dimensions:

HEIGHT	LENGTH
45 mm	L 250 mm
	L 300 mm
	L 350 mm
	L 400 mm
	L 450 mm
	L 500 mm
L 550 mm	



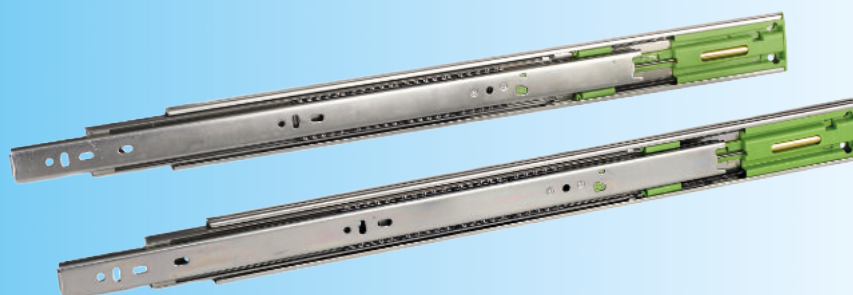
SOFT CLOSE SLIDE 45

Material: Steel

Finish: Zinc

Dimensions:

HEIGHT	LENGTH
45 mm	L 350 mm
	L 400 mm
	L 450 mm
	L 500 mm
L 550 mm	



PUSH-OPEN SLIDE 45

Material: Steel

Finish: Zinc

Dimensions:

HEIGHT	LENGTH
45 mm	L 300 mm
	L 350 mm
	L 400 mm
	L 450 mm
	L 500 mm
	L 550 mm



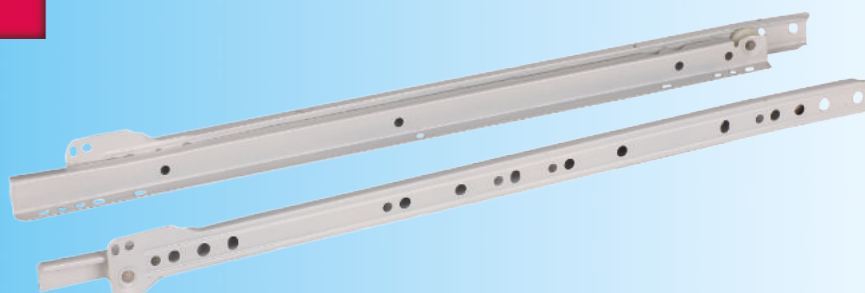
DRAWER SLIDE

Material: Steel

Finish: Biel

Dimensions:

LENGTH
L 550 mm



FLANGE 25

for wardrobe rail \varnothing 25 mm



Material: Steel
Finish: Chrome

FLANGE 19

for wardrobe rail \varnothing 19 mm



Material: Steel
Finish: Chrome

FLANGE 50

for wardrobe rail \varnothing 50 mm



Material: Steel
Finish: Chrome

OVAL FLANGE

for oval wardrobe rail
 \varnothing 15 x 30 mm



Material: Steel
Finish: Chrome

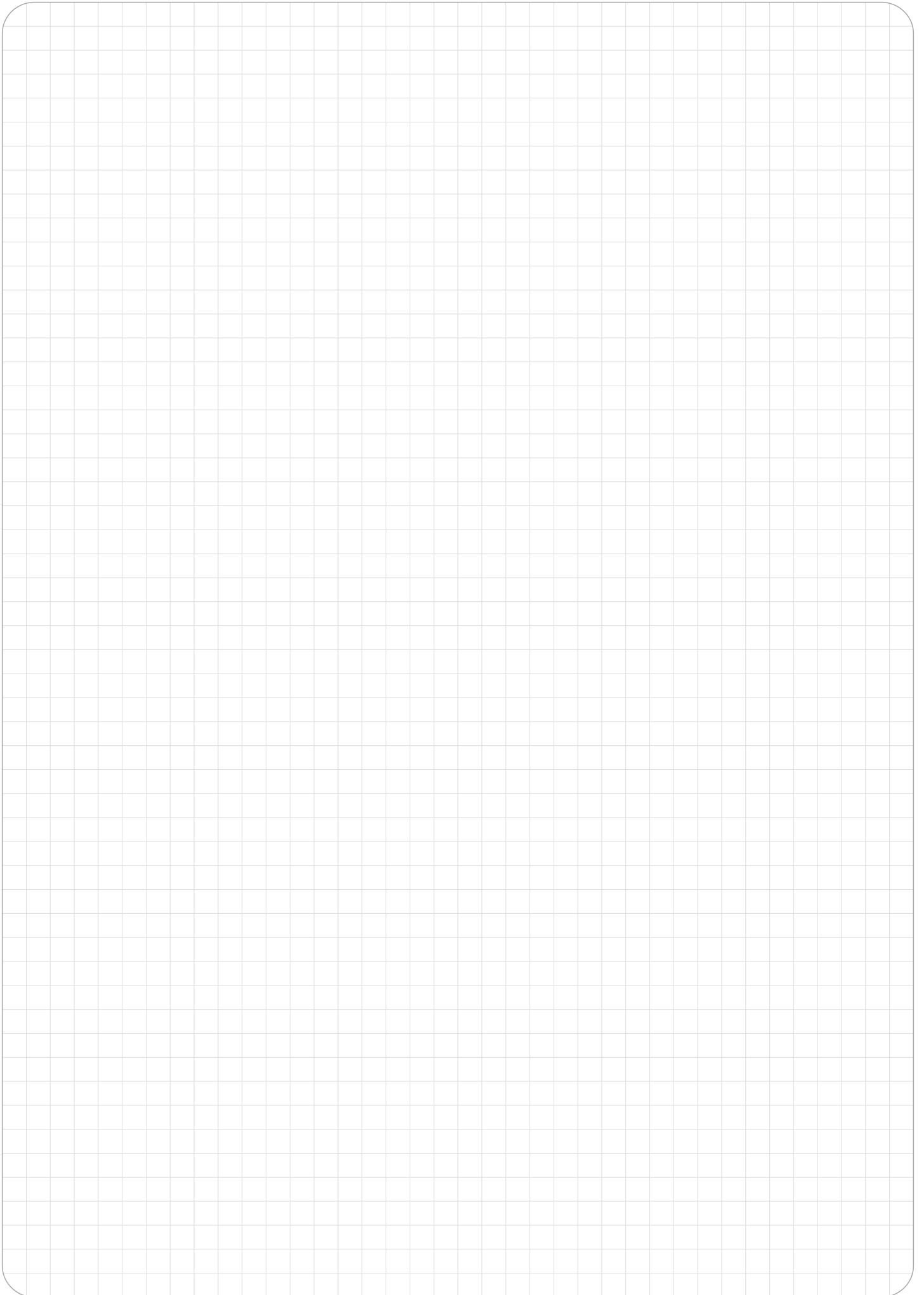
TUBE CAP

for wardrobe rail \varnothing 25 mm

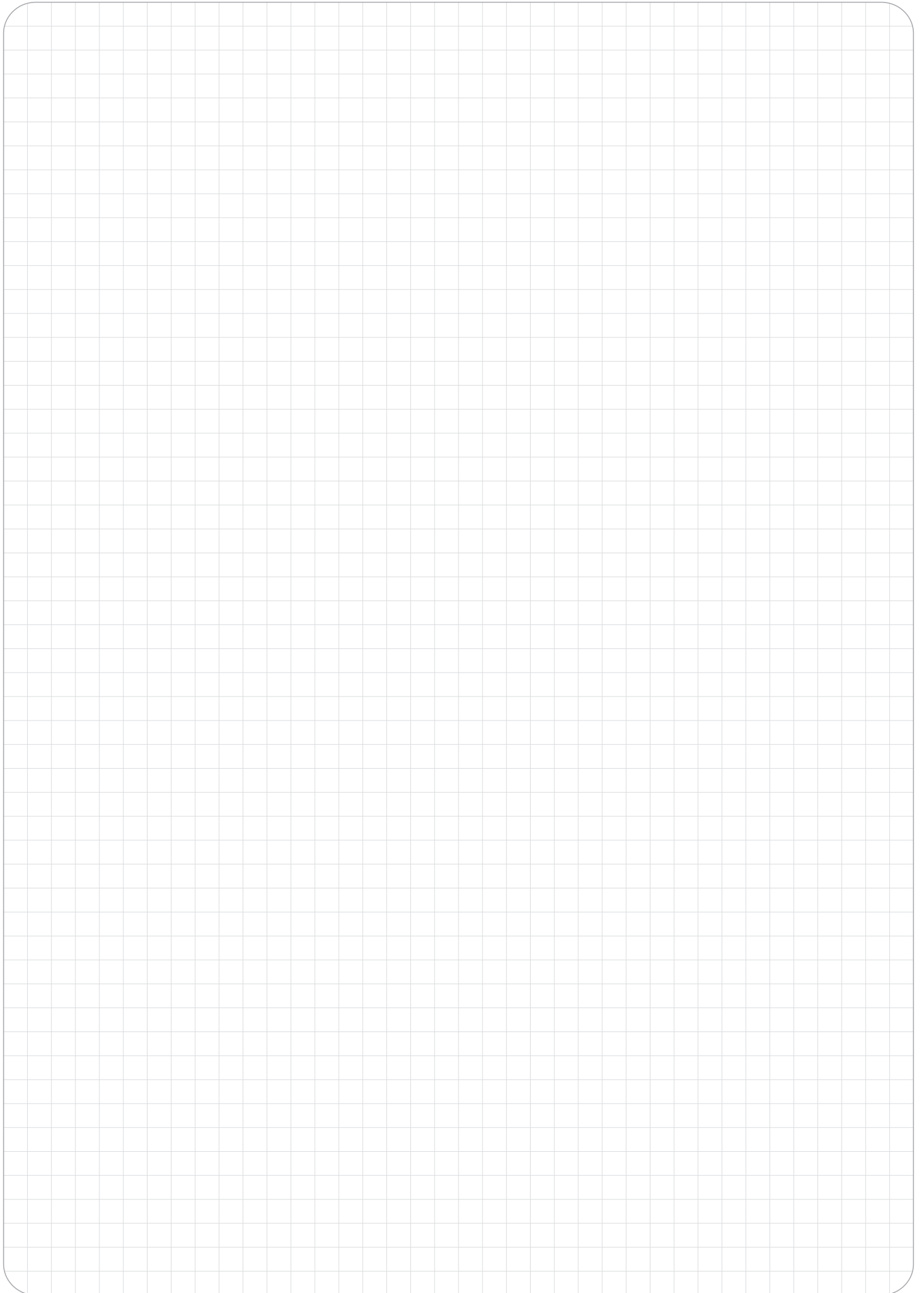


Material: Steel
Finish: Chrome

NOTES



NOTES





Mabia trnava, s.r.o.

Logistická 584/8

919 26 Zavar

e-mail: mabia@mabia.sk

00421 33 551 2264

00421 33 535 4193

00421 903 796 469

00421 908 727 420